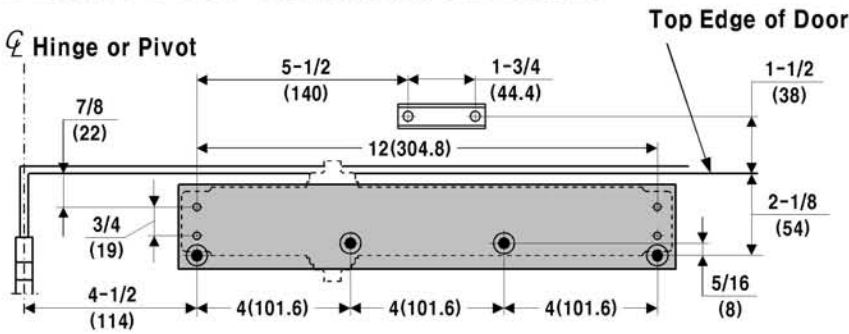
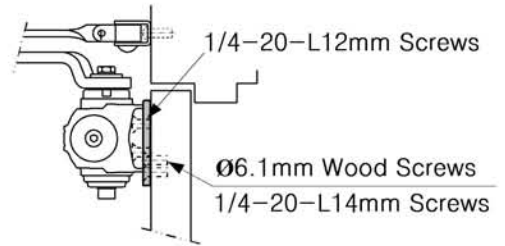


PULL SIDE (DOOR JAMB) DROP PLATE PERMITS 180° MAXIMUM OPENING



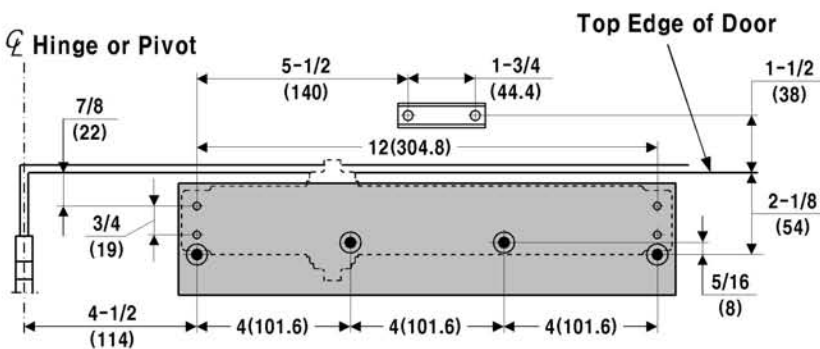
PULL SIDE MOUNT ON: 990-3146 DROP PLATE



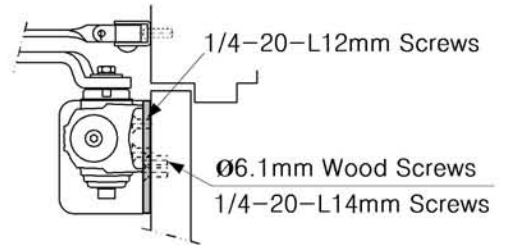
- Do Not Scale Drawing
- Dimensions : inches(mm)

RIGHT HAND DOOR SHOWN, LEFT HAND OPPOSITE.

PULL SIDE (DOOR JAMB) DROP PLATE PERMITS 180° MAXIMUM OPENING



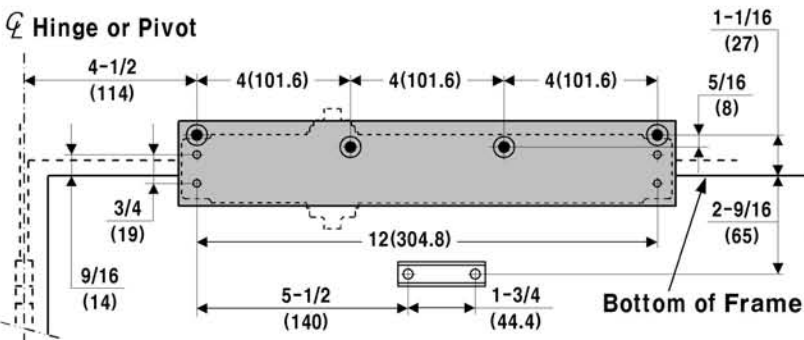
PULL SIDE MOUNT ON: 990-3546 DROP PLATE



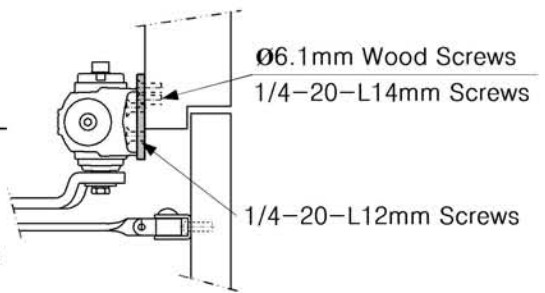
- Do Not Scale Drawing
- Dimensions : inches(mm)

RIGHT HAND DOOR SHOWN, LEFT HAND OPPOSITE.

PUSH SIDE (TOP JAMB) DROP PLATE PERMITS 180° MAXIMUM OPENING



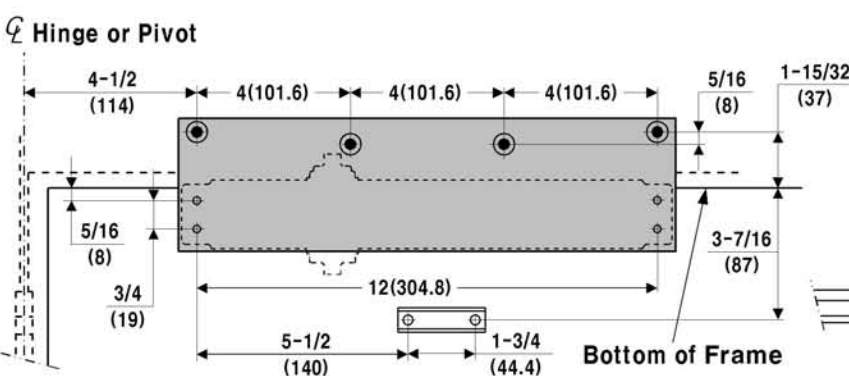
PUSH SIDE MOUNT ON: 990-3146 DROP PLATE



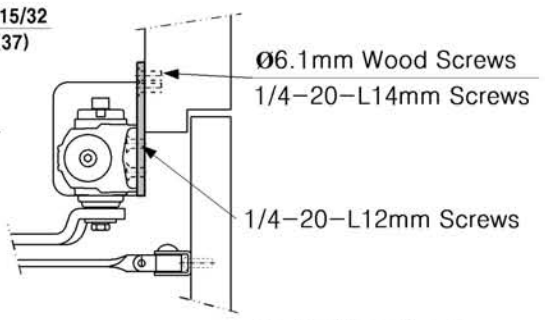
- Do Not Scale Drawing
- Dimensions : inches(mm)

LEFT HAND DOOR SHOWN, RIGHT HAND OPPOSITE.

PUSH SIDE (TOP JAMB) DROP PLATE PERMITS 180° MAXIMUM OPENING



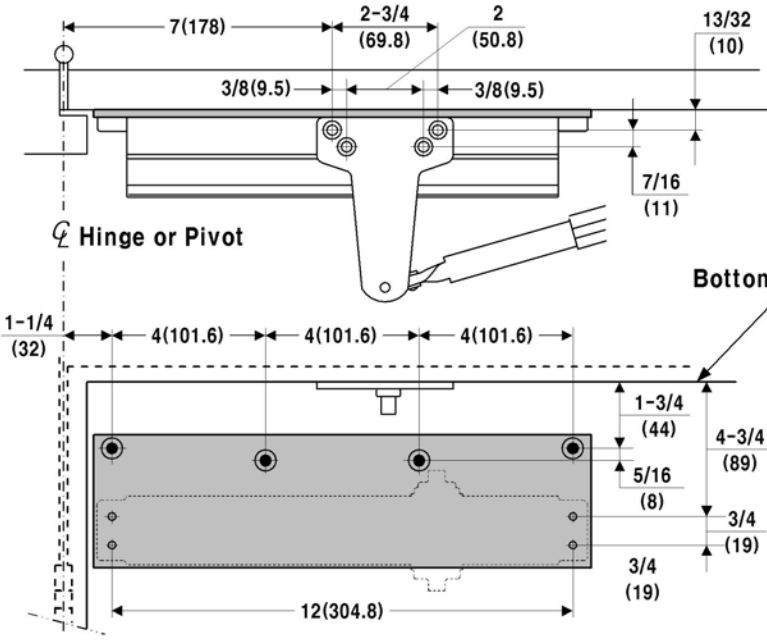
PUSH SIDE MOUNT ON: 990-3148 DROP PLATE



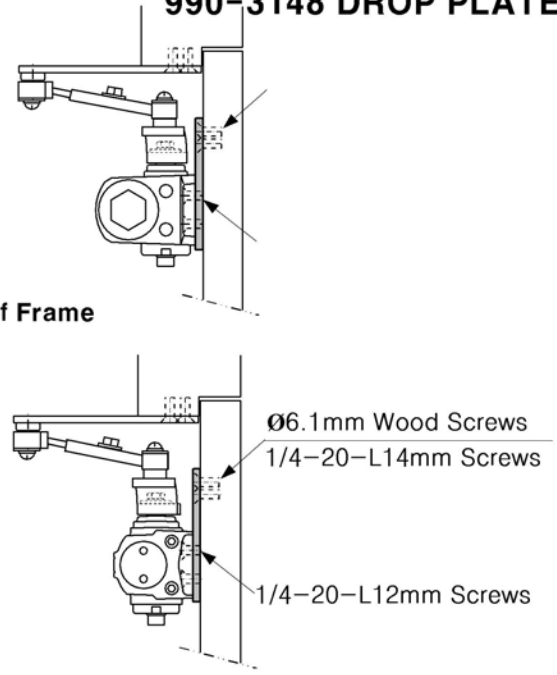
- Do Not Scale Drawing
- Dimensions : inches(mm)

LEFT HAND DOOR SHOWN, RIGHT HAND OPPOSITE.

PUSH SIDE (DOOR MOUNT) DROP PLATE PERMITS 180° MAXIMUM OPENING



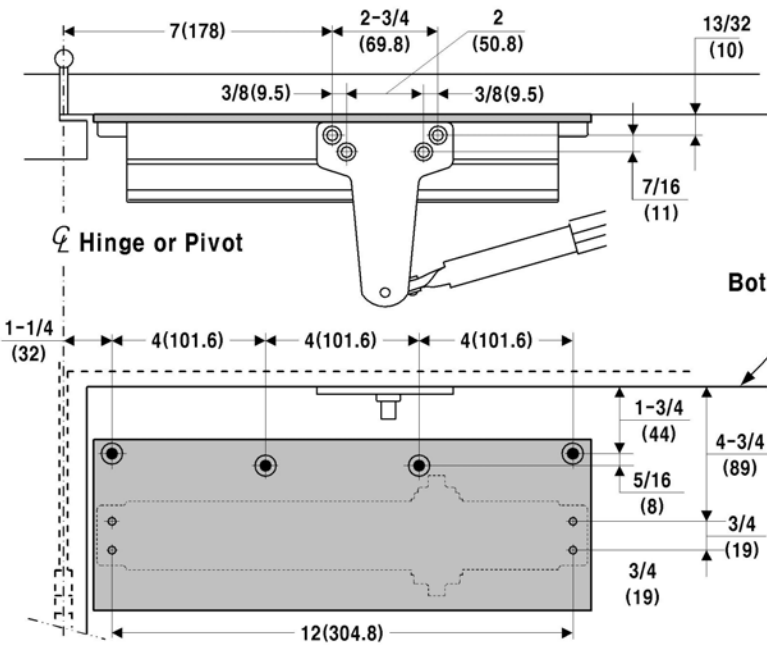
PUSH SIDE MOUNT ON: 990-3148 DROP PLATE



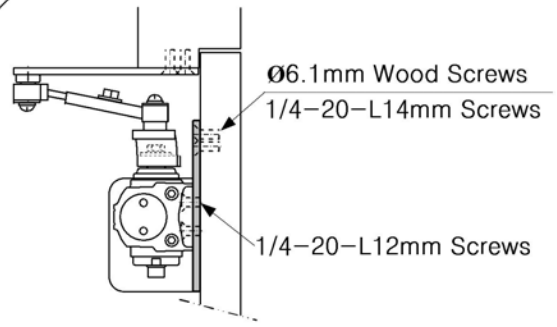
- Do Not Scale Drawing
- Dimensions : inches(mm)

LEFT HAND DOOR SHOWN, RIGHT HAND OPPOSITE.

PUSH SIDE (DOOR MOUNT) DROP PLATE PERMITS 180° MAXIMUM OPENING



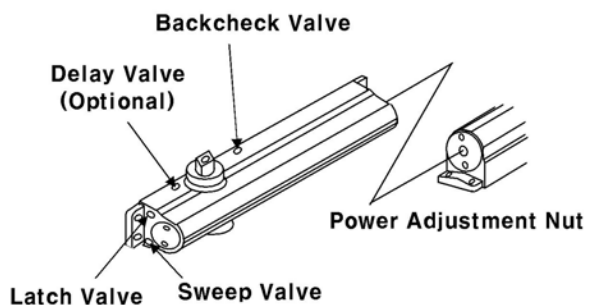
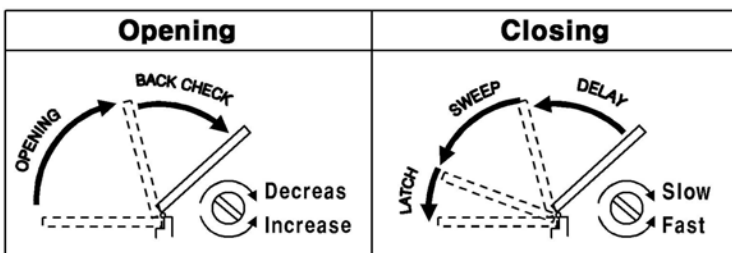
PUSH SIDE MOUNT ON: 990-3548 DROP PLATE



- Do Not Scale Drawing
- Dimensions : inches(mm)

LEFT HAND DOOR SHOWN, RIGHT HAND OPPOSITE.

CLOSER ADJUSTMENT



CAUTION!! Do not turn adjusting valve more than two(2) full turns counter-clockwise from its factory set positing.