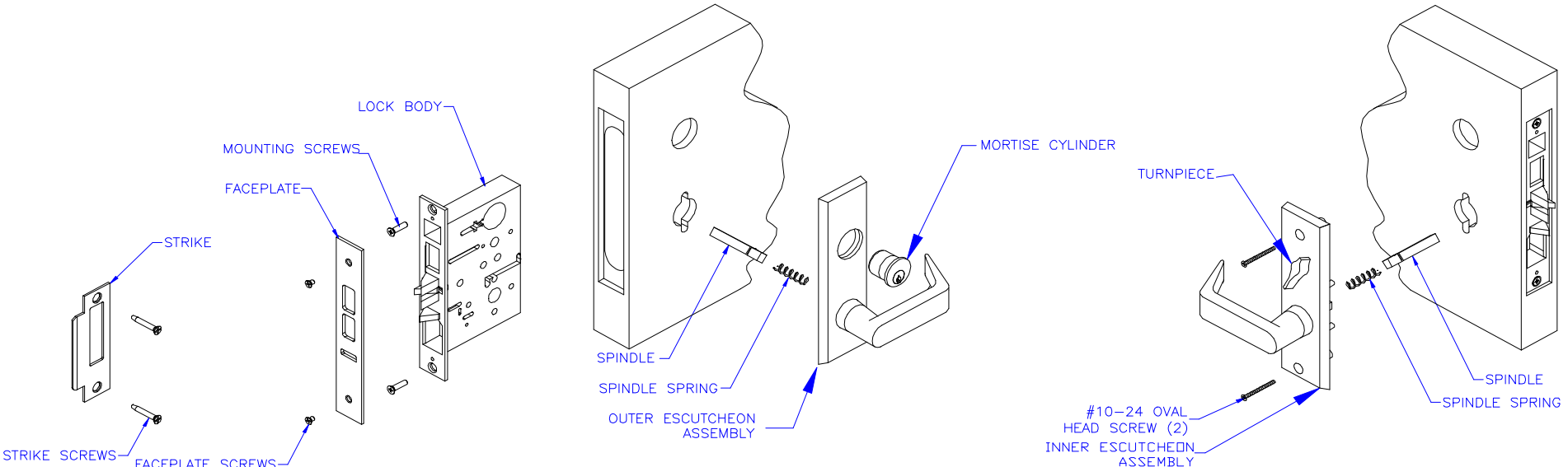


Mortise - Escu



| Parts                             |                  |
|-----------------------------------|------------------|
| Faceplate (Must Provide Function) | W88807 - *       |
| Faceplate Screws                  | W51059-*         |
| Inner Escutcheon Assembly         | W88804-(LVR) - * |
| Lock Body                         | J (Function #)   |
| Lock Body Mounting Screws         | W50065           |
| Mortise Cylinder                  | CALL             |
| Outer Escutcheon Assembly         | W88805-(LVR) - * |
| Trim Mounting Screws              | W51036-*         |
| Screw Pack - Escutcheon           | W88808-*         |
| Spindle                           | W51077           |
| Spindle Spring                    | W51127           |
| Strike (Left Hand)                | W51003           |
| Strike (Right Hand)               | W51026           |
| Strike Screws                     | W50065-*         |

| LVR - Lever |              |
|-------------|--------------|
| PHL         | Philadelphia |
| BSN         | Boston       |
| MIA         | Miami        |

| * - Finishes |             |                   |
|--------------|-------------|-------------------|
| 2            | US26        | Bright            |
| 3            | US10        | Satin Bronze      |
| 5            | US3         | Bright Brass      |
| 6            | US10B (613) | Dark Satin Bronze |
| 7            | US26D       | Satin Chrome      |
| 8            | US4         | Satin Brass       |

