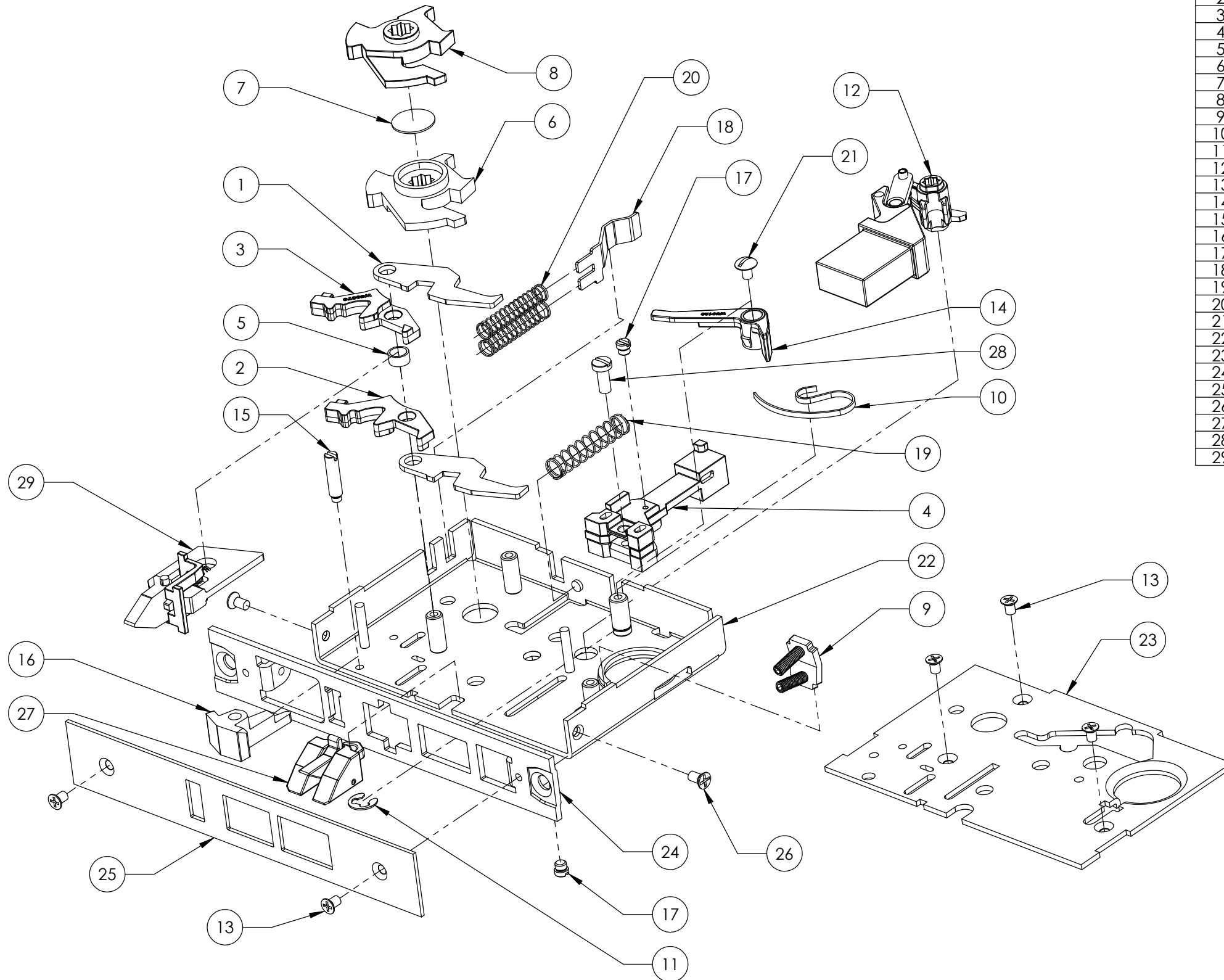


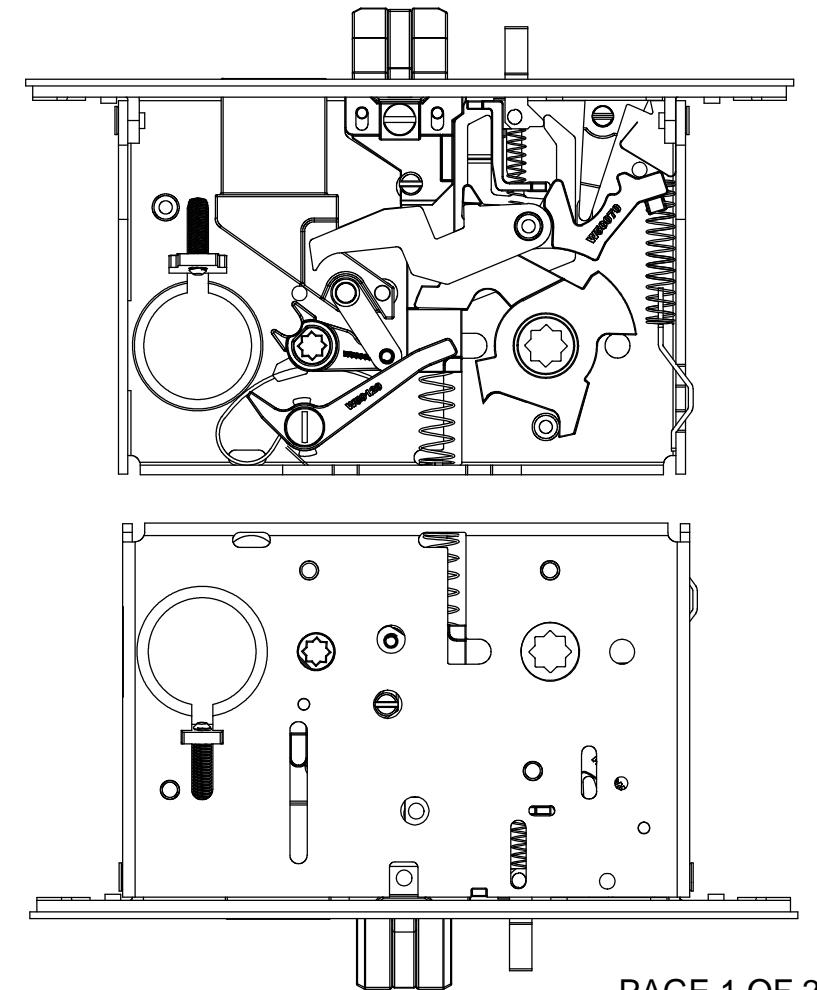
EXPLODED DIAGRAM MR 162

MR LOCK CASE ASSEMBLIES

MR 162 - SHOWN RHR



ITEM NO.	PART NUMBER	DESCRIPTION	QTY.
1	W50007	LEVER,EGRESS	2
2	W50071	LOCKING LEVER, CASE	1
3	W50070	LOCKING LEVER, COVER	1
4	LATCH STEM	SUB-ASSEMBLY	1
5	W50037	SPACER, GUARD	1
6	W50002	CASE, RETRACTOR	1
7	W50045	DISC, SPINDLE STOP	1
8	W50001	COVER, RETRACTOR	1
9	W50134	CYLINDER SCREW MOUNT ASSEMBLY	1
10	W50034	SPRING, TURNPIECE CAM	1
11	W50128	E-CLIP, CYL RETRACTOR	1
12	W91902	DEADBOLT ASSEMBLY	1
13	W51059	8-32 CR UNDRCT FLTHD SS SCREW	5
14	CYLINDER RETRACTOR	SUB-ASSEMBLY	1
15	W50023	SCREW, STOP WORKS	1
16	W50022	STOPWORKS	1
17	W50033	SCREW, M5X0.8	2
18	W50042	SPRING MOUNT	1
19	W50026	LATCHBOLT SPRING	1
20	W50024	SPRING, LOCK	2
21	W50093	SPRING, LOCK	1
22	W50020	CASE	1
23	W50021	COVER	1
24	W50063	PLATE, BACK	1
25	W51089	ARMOR PLATE PDQ - TOGGLE	1
26	W51099	8-32 NON UNDRCT 5/16 FLTHD SCREW	2
27	A-F LATCH HEAD	PRE-ASSEMBLED	1
28	W50052	M5 X 12 SLOTTED CHEESE HEAD SCREW	1
29	GUARD	SUB-ASSEMBLY	1



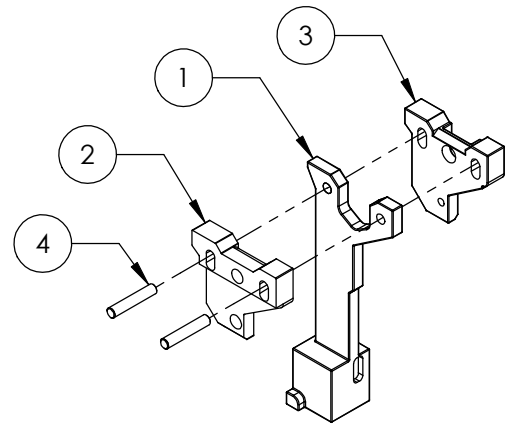
PDQ Manufacturing
 2754 Creek Hill Rd.
 Leola, PA 17540
 800-441-9692
 Fax: 717-656-6892
 www.pdqlocks.com



EXPLODED DIAGRAM MR 162

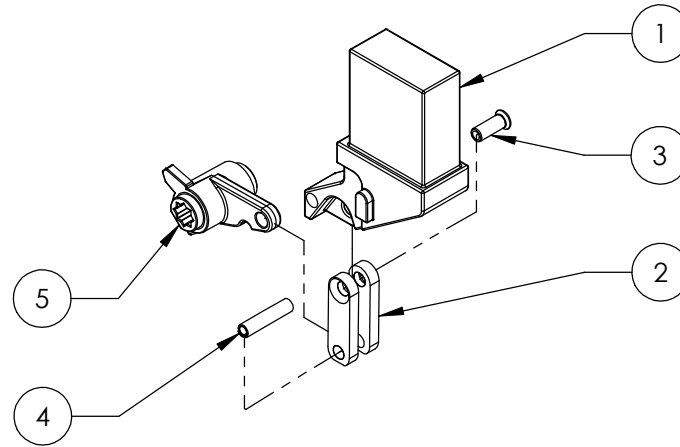
MR LOCK CASE ASSEMBLIES

MR 162 - SHOWN RHR



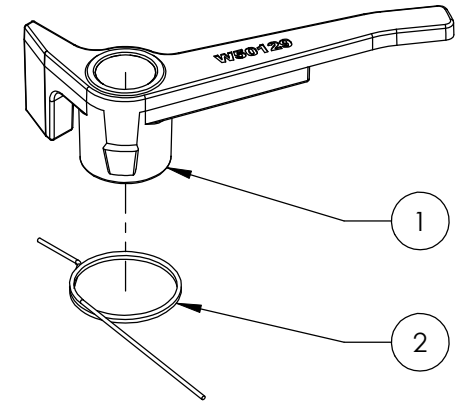
LATCH STEM SUB-ASSEMBLY

ITEM NO.	PART NUMBER	DESCRIPTION	QTY.
1	W50123	STEM,LATCH BOLT	1
2	W50015	LATCH BOLT GUIDE CASE	1
3	W50016	LATCH BOLT GUIDE COVER	1
4	W50017	LATCHBOLT PIN	2



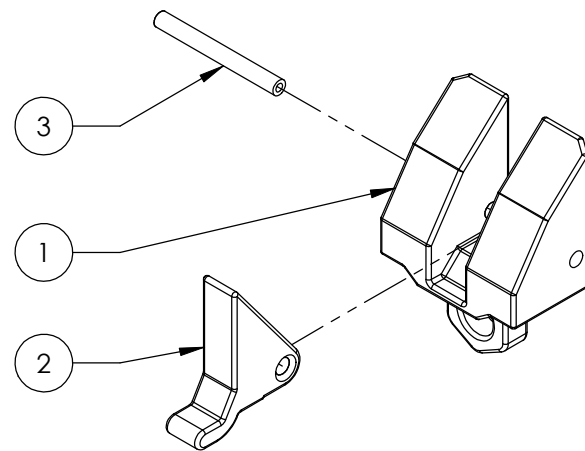
W91902 PRE-ASSEMBLY

ITEM NO.	PART NUMBER	DESCRIPTION	QTY.
1	W50035	DEADBOLT, TAPPED	1
2	W50004	LINK,DEADBOLT	2
3	W50006	PIN,DEADBOLT	1
4	W50136	PIN,TURNPIECE CAM	1
5	W50069	CAM, TURNPIECE	1



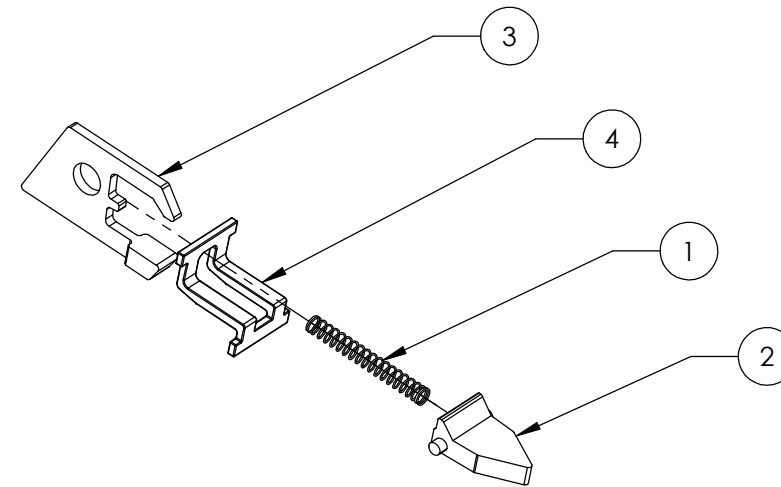
CYLINDER RETRACTOR SUB-ASSEMBLY

ITEM NO.	PART NUMBER	DESCRIPTION	QTY.
1	W50129	RETRACTOR, CYLINDER	1
2	W50064	SPRING, CYLINDER RETRACTOR	1



A-F LATCH HEAD PRE-ASSEMBLY

ITEM NO.	PART NUMBER	DESCRIPTION	QTY.
1	W50110	DRILLED,LATCHBOLT HEAD	1
2	W50097	ANTI-FRICTION #3	1
3	W50061	AF PIN	1



GUARD SUB-ASSEMBLY

ITEM NO.	PART NUMBER	DESCRIPTION	QTY.
1	W50027	GUARD BOLT SPRING	1
2	W50019	BLANK,GUARD BOLT	1
3	W50073	GUARD	1
4	W50131	HOUSING,GUARD	1

PDQ Manufacturing
2754 Creek Hill Rd.
Leola, PA 17540
800-441-9692
Fax: 717-656-6892
www.pdqlocks.com

