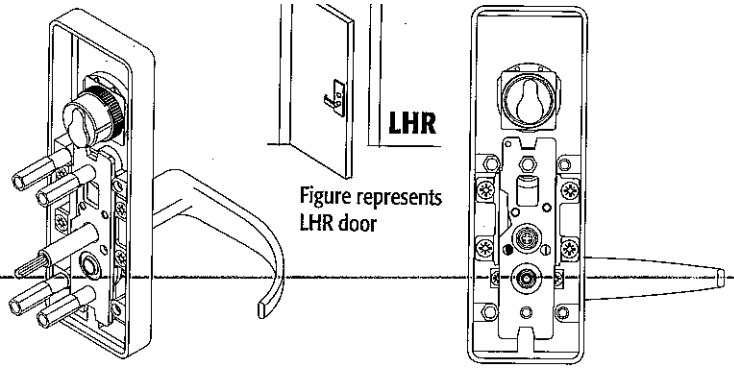


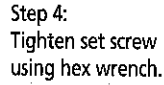
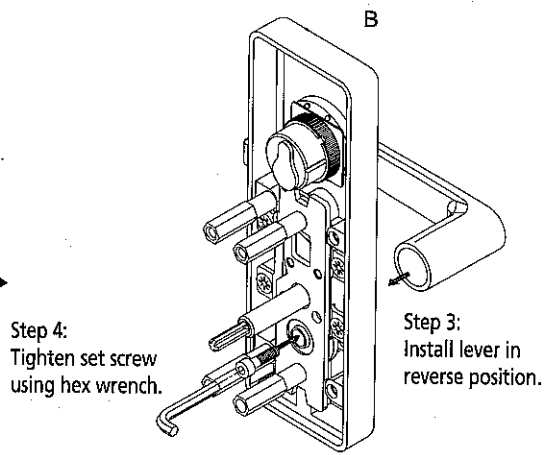
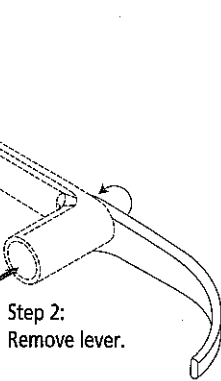
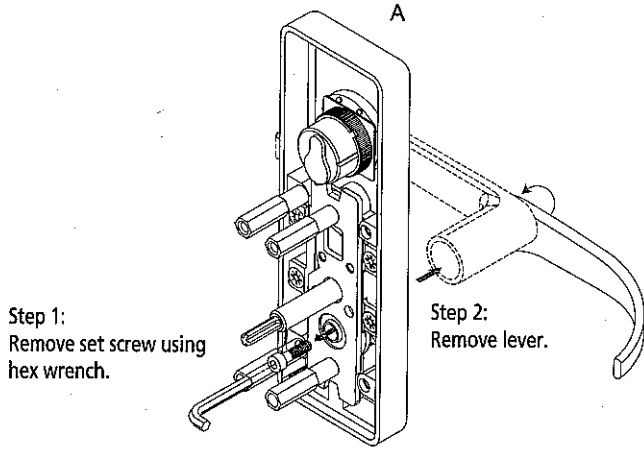
**4200 SERIES  
4EW ESCUTCHEON TRIM**

Installation instructions for changing lever handing

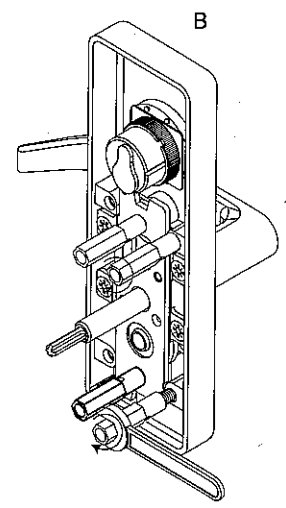
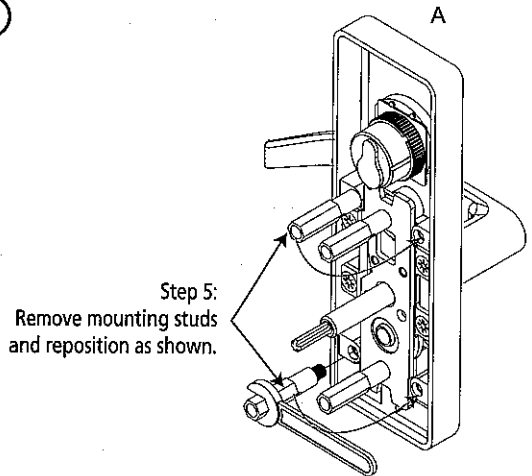
**CAUTION:** The preset lever handle is "LHR". Please follow the steps below if "RHR" is needed.



①



②



Re-install and tighten mounting studs.

③

Change in hand is now complete.

