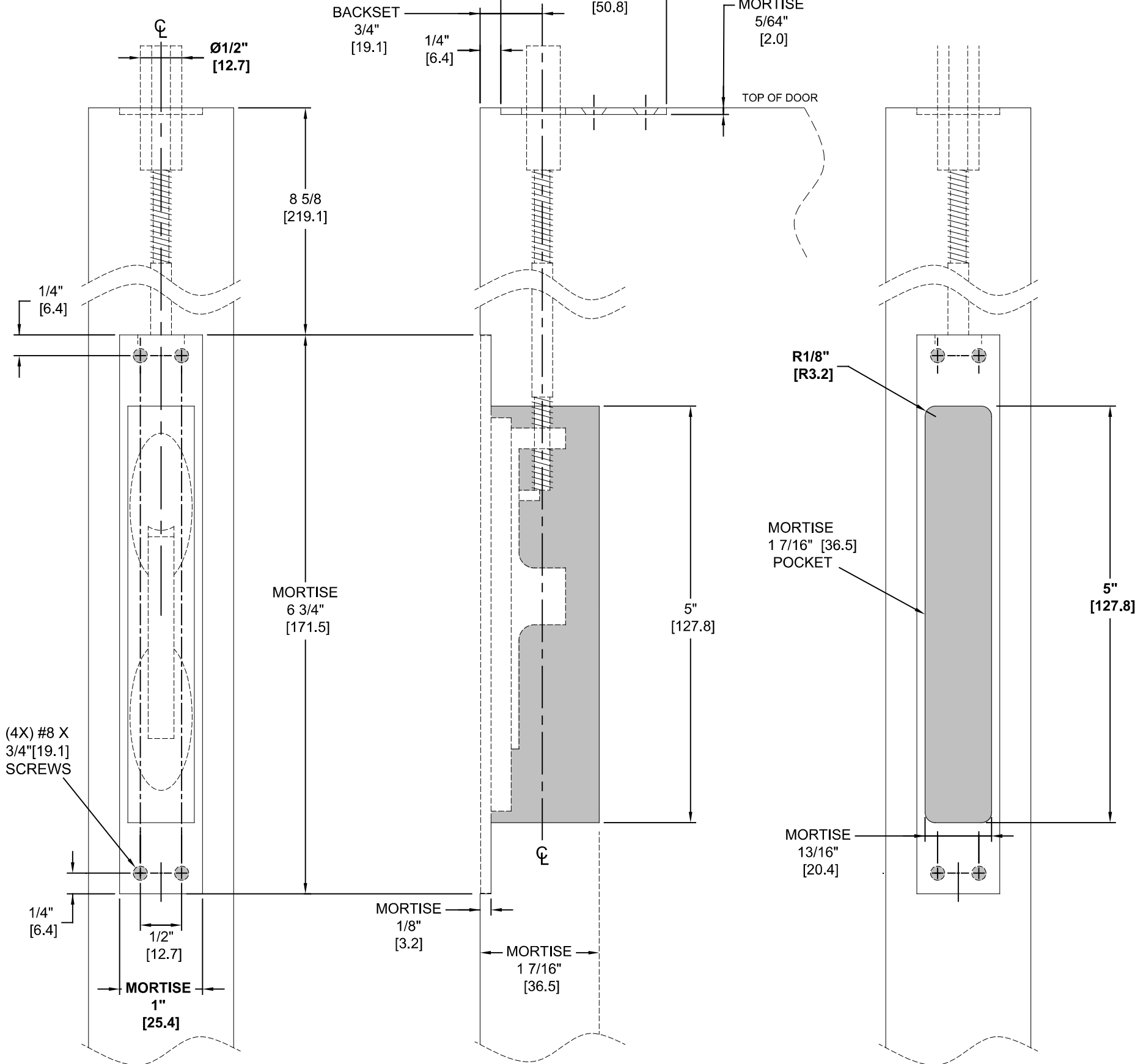
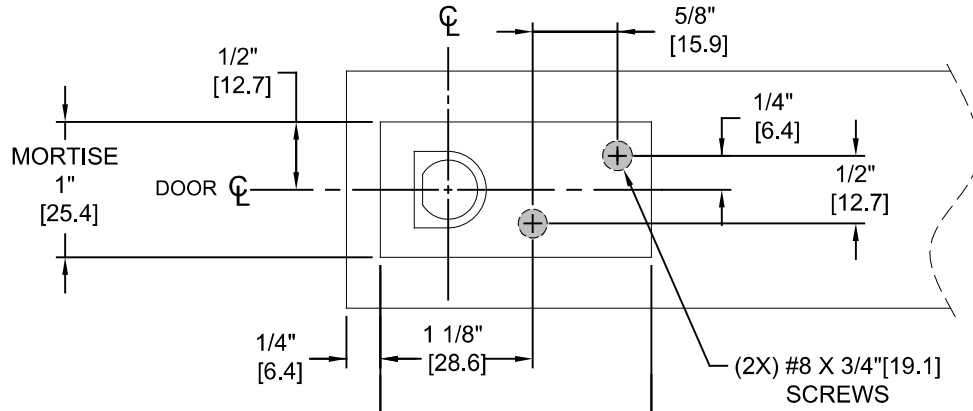
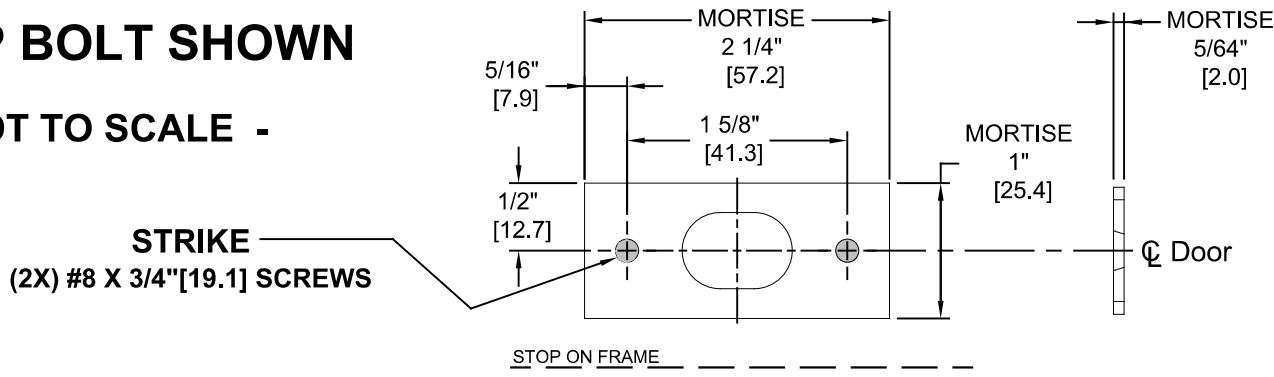


TOP BOLT SHOWN

- NOT TO SCALE -



- NOTES:
- DIMENSIONS IN INCHES [MM]
 - DIMENSIONS FOR TOP BOLT ARE AS SHOWN. FOR BOTTOM BOLT, INVERT AND MEASURE FROM THE BOTTOM EDGE OF THE DOOR
 - ALWAYS CHECK PDQ WEBSITE FOR THE MOST RECENT TEMPLATE REVISION AT WWW.PDQLOCKS.COM