

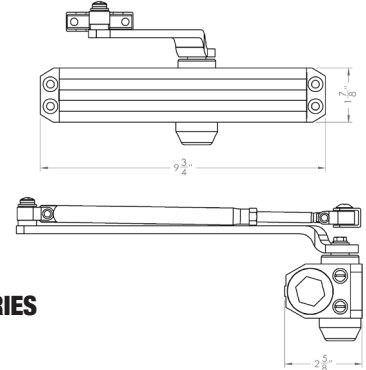
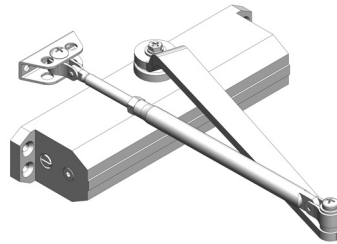
3100 SERIES

GRADE 1 LIGHT COMMERCIAL CLOSER

ARCHITECTURAL SUBMITTAL SHEET

FEATURES

- Traditional door style door control for use in commercial door applications
- Fasteners are provided to facilitate installation on wood, hollow metal and aluminum doors and frames
- The closers are non-handed and tri-packed for maximum versatility to permit regular, top-jamb and parallel arm installations
- The common 9-1/16" mounting hole pattern permits simple installation on new and retrofit applications.



3100 SERIES

SPECIFICATIONS



BODY:	<ul style="list-style-type: none"> • High strength aluminum alloy
ARM OPTIONS:	<ul style="list-style-type: none"> • PA – Parallel Arm • HO – Hold Open • DS/DSHO – Heavy Duty Parallel Arm Stop • SCS/SCSHO – Heavy Duty Parallel Arm Cushion Stop • TA/TAHO – Track Arm
ADJUSTMENT:	<ul style="list-style-type: none"> • Separate hydraulic backcheck standard • Hydraulic controlled closing standard
SIZE:	<ul style="list-style-type: none"> • 3101 = Adjustable BF - 4 • 3100 = Adjustable 3 - 6
MOUNTING:	<ul style="list-style-type: none"> • Common 9-1/16" x 3/4" mounting hole pattern retrofits Yale® 50, Norton® 1600 • Tri-packed for regular, top jamb and parallel arm installations • Includes sex nuts/bolts and screws for wood, metal doors frames • Self drilling self tapping screws available • Separate limiting stop may be required for high abuse applications
COVER:	<ul style="list-style-type: none"> • Streamline plastic cover optional
COLOR FINISHES:	<ul style="list-style-type: none"> • 689 – Aluminum, 695 – Duro Bronze, 696 – Gold
WARRANTY:	<ul style="list-style-type: none"> • Twenty-five (25) year Limited Warranty
CERTIFICATIONS COMPLIANCES:	<ul style="list-style-type: none"> • UL listed for labeled swinging fire doors rated up to and including 3 hours • Certified to ANSI/BHMA A156.4 Grade 1 • Meets requirements of the Buy American Act • Complies with ADA (Americans with Disabilities Act) and ICC/ANSI 117.1 for Accessible and Usable Buildings