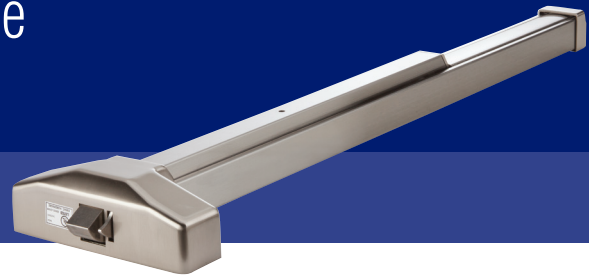


# 4200 SERIES

## Commercial Wide Stile



### Economical, Reliable Workhorse

- Rim, Surface Vertical Rod
- Compatible with 161 door prep
- Architectural plated finishes available
- 5-Year Warranty



#### Product Specifications (For all Models Unless Noted)



<b>CHASSIS:</b>	• Corrosion resistant plated steel
<b>RAIL:</b>	• Heavy gauge steel or stainless steel
<b>LATCH:</b>	• RIM (R) – 3/4" throw • SURFACE VERTICAL ROD (V) – Top Latch-Pullman with dead latching 5/8" throw - Bottom Latch- Pullman with 5/8" throw, held retracted during door swing
<b>BACKSET:</b>	• 2-3/4" backset Compatible with 161 prep
<b>HAND:</b>	• Device is non-handed
<b>DOGGING:</b>	• Hex key dogging standard on panic devices • Dogging not available on fire labeled devices
<b>MINIMUM STILE WIDTH:</b>	• 4-1/4" for device (exit only) • Minimum stile requirements with trim varies by trim type
<b>DOOR THICKNESS:</b>	• 1-3/4" standard
<b>DOOR WIDTH:</b>	• Standard for 3 ft doors. "A" size devices available for doors up to 4' • Consult door width chart to determine correct device for your application
<b>FINISHES:</b>	• 605 – Polished Brass, 626 – Satin Chrome, 630 – Satin Stainless Steel, 689 – Aluminum, 695 - Duro Bronze, 696 – Gold • Optional Anti Microbial Coating available on 626 and 630 finishes only
<b>FASTENERS:</b>	• Includes machine screws and wood screws • sex nuts and bolts (SNB) supplied with all Fire Listed devices
<b>VERTICAL RODS:</b>	• SVR – 7' doors standard. Extension rods available for doors up to 10'
<b>WARRANTY:</b>	• Five (5) year limited warranty

#### Listings and Certifications

- CERTIFICATIONS, LISTINGS, COMPLIANCES:**
- UL 305 listed for "Panic", UL 10C Listed for "Fire Exit Hardware" labeled for up to 1-1/2 hours
  - Complies with ADA (Americans with Disabilities Act) and ICC/ANSA 117.1 for Accessible and Usable Buildings
  - Meets requirements of the Buy America Act

#### Architectural Finishes



605 (US3)  
Bright Brass

626 (US26D)  
Satin Chromium

630 (US32D)  
Satin Stainless Steel

#### Painted Finishes



689 (US28)  
Aluminum

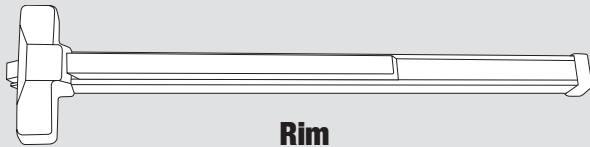
695  
Dark Duranodic  
Bronze

696 (US4)  
Satin Brass (Gold)

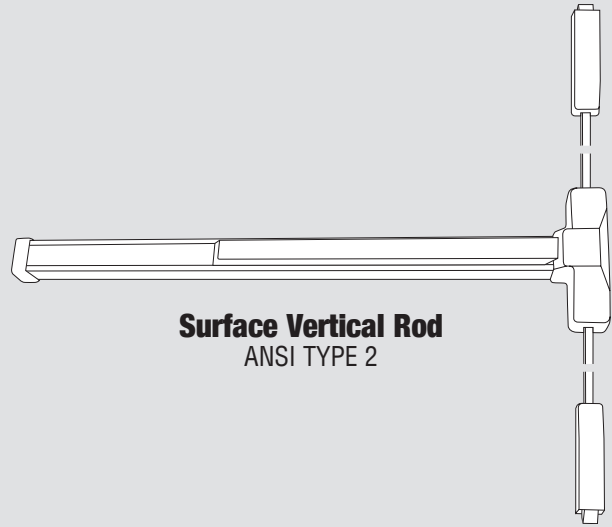
# 4200 SERIES

## Configurations / Trim and Levers

### Configurations



**Rim**  
ANSI TYPE 1



**Surface Vertical Rod**  
ANSI TYPE 2

### Levers\*



**Philadelphia**



**Boston**



**Miami**

### Trims\*



**Escutcheon**



**Sectional**



**Grip Pull**



**Pull**



**Plate**



**Sectional Knob**

### Architectural Finishes\*



605 (US3)  
Bright Brass



613 (US10B)  
Oil Rubbed Bronze



626 (US26D)  
Satin Chromium



630 (US32D)  
Satin Stainless Steel



689 (US28)  
Aluminum



695  
Dark Duranodic  
Bronze

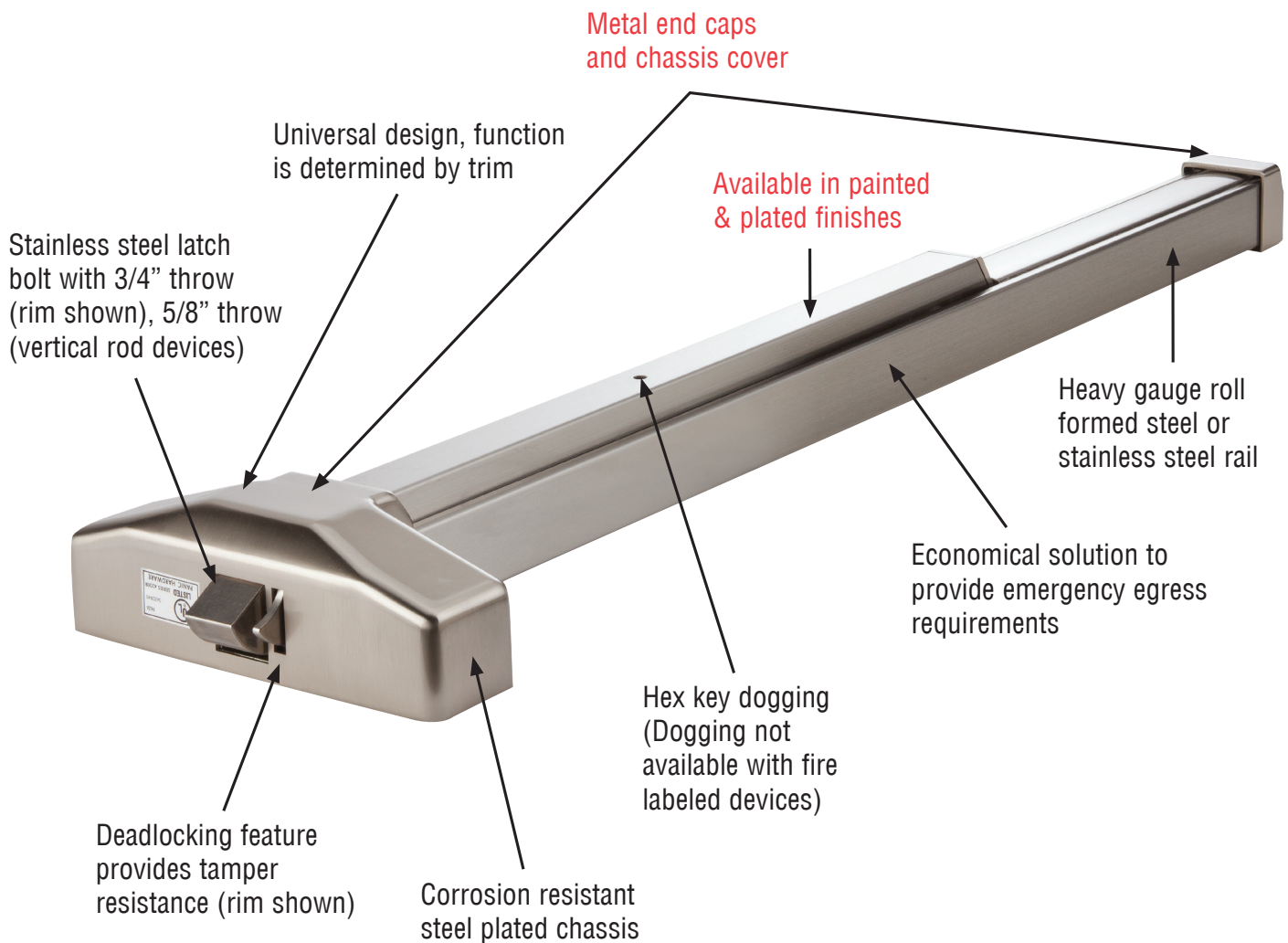
### Painted Finishes\*

\*Contact factory or consult PDQ Price Book to check availability of lever/trim combinations and/or finishes for specific products.

# 4200 SERIES

## Commercial Wide Stile

### Architectural Finishes. No Plastic Parts.



### Decorative Finish Collection

#### Architectural

605 Bright Brass, Clear Coated  
626 Satin Chromium Plated  
630 Satin Stainless Steel

#### Painted

689 Aluminum  
695 Dark Bronze  
696 Gold

