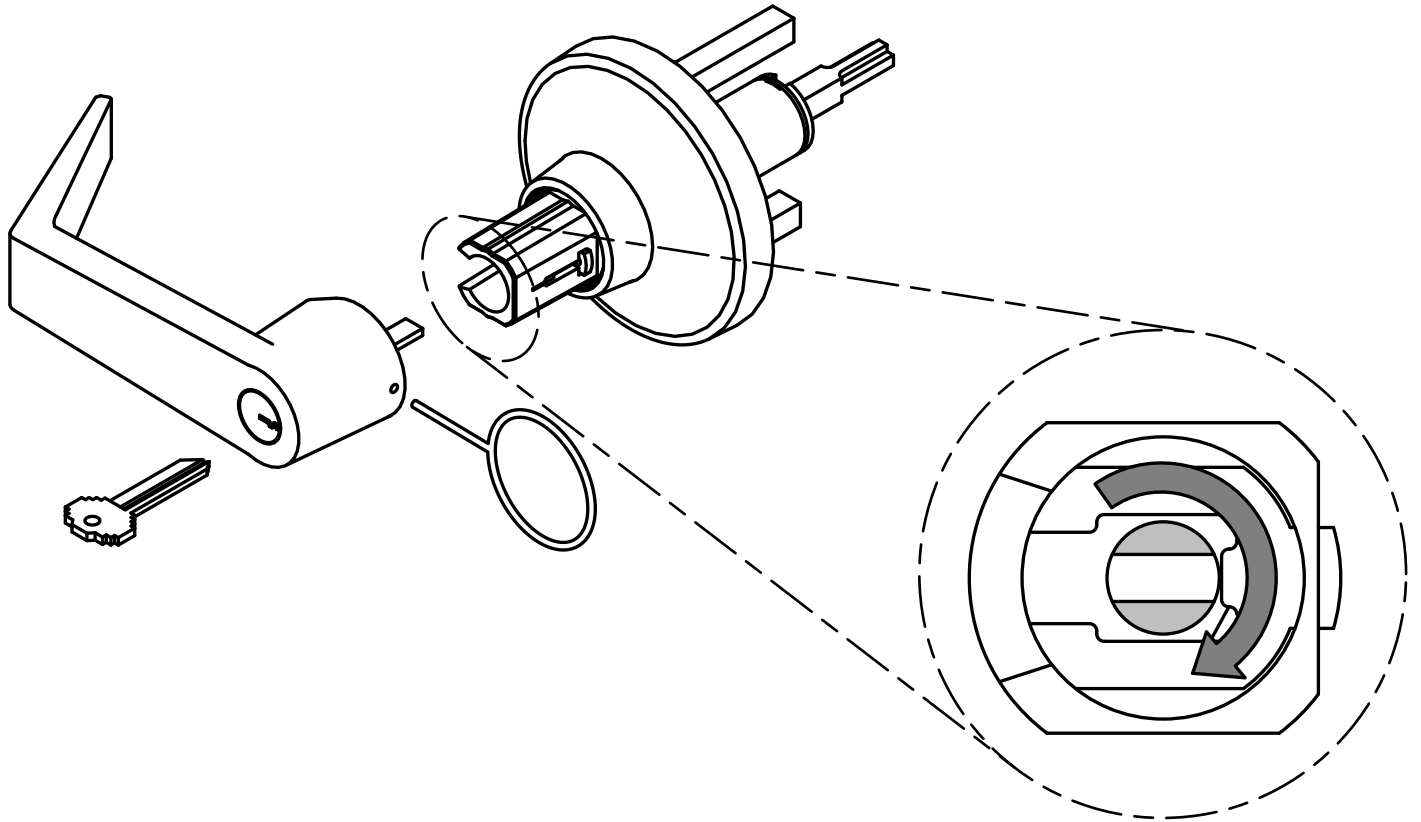


TIMING INSTRUCTION FOR 4SH09/6SH09 SECTIONAL TRIMS



Phone: 800-441-9692 | www.pdqlocks.com



CYLINDER TO CHASSIS TIMING OVERVIEW:

NOTE: When correctly installed, cylinder should turn 180°. Lever is operational when cylinder is turned, but key cannot be removed until lever is returned to home position. Door cannot be left unlocked.

1. To install new standard cylinder, lever must be removed. Begin by inserting and rotating key 45° counter-clockwise. Insert pick into front of lever as shown while pulling out on lever. For Interchangeable Core type cylinder, simply insert control key and remove core.
2. Before installing new cylinder or core, ensure locking mechanism is in the correct position by rotating shaded spindle in the above illustration clockwise until it stops with a small screwdriver.
3. Re-install lever. Ensure key is in home position when installing lever (position where key can be pulled out of cylinder). Rotate key 45° counter-clockwise after cylinder tailpiece has engaged in locking mechanism and continue to push lever on until it clicks into place.