

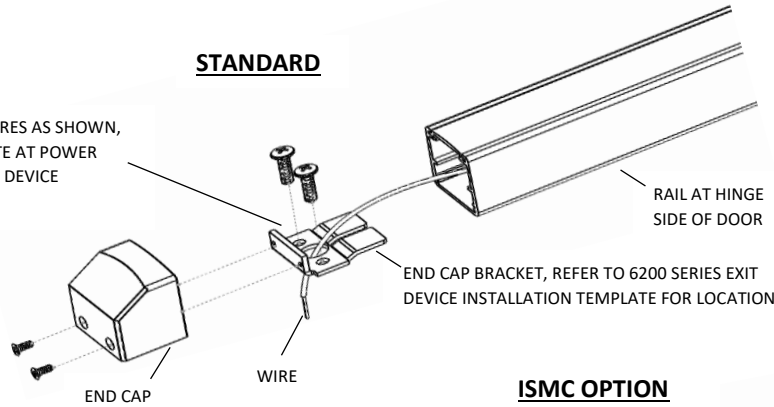
WIRE ROUTING FOR PDQ 6200 SERIES EXIT DEVICES WITH ELECTRIFIED OPTIONS



Phone: 833-2-PDQTEC | www.pdqlocks.com

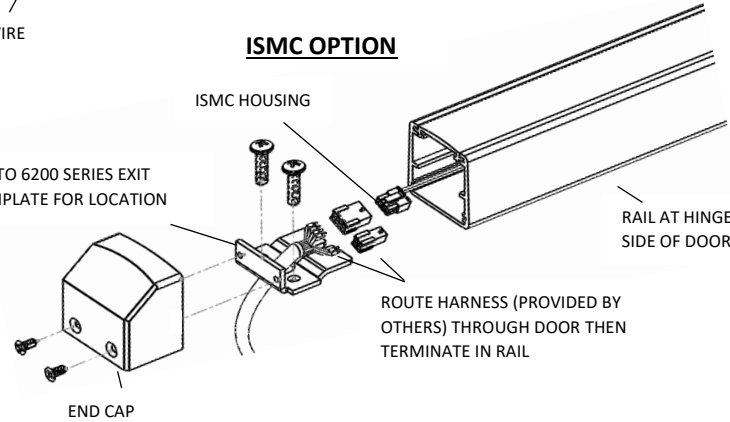
STANDARD

ROUTE WIRES AS SHOWN, TERMINATE AT POWER TRANSFER DEVICE



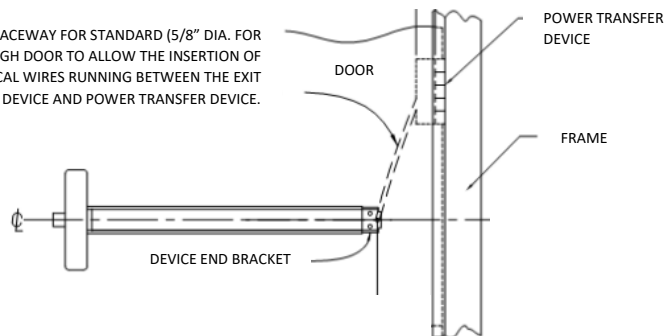
ISMC OPTION

END CAP BRACKET, REFER TO 6200 SERIES EXIT DEVICE INSTALLATION TEMPLATE FOR LOCATION

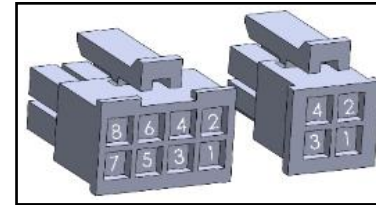


DOOR PREPARATIONS

3/8" DIA. RACEWAY FOR STANDARD (5/8" DIA. FOR ISMC) THROUGH DOOR TO ALLOW THE INSERTION OF ELECTRICAL WIRES RUNNING BETWEEN THE EXIT DEVICE AND POWER TRANSFER DEVICE.



ISMC INFORMATION FOR PDQ 6200 SERIES EXIT DEVICES WITH ELECTRIFIED OPTIONS

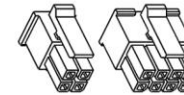


TERMINAL INSERTION END IS SHOWN

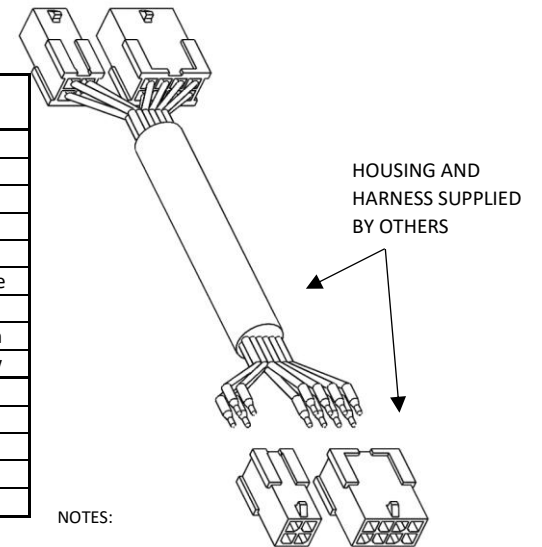
6200 Pinout		
8 Pin	Function	Color
Pin 1	Power*	Color*
Pin 2	Power*	Color*
Pin 3	REX (COM)	Yellow
Pin 4	REX (N/O)	Red
Pin 5	REX (N/C)	Gray
Pin 6	LM (COM)	Black
Pin 7	LM (N/O)	Brown
Pin 8	LM (N/C)	Blue

6200 Power Options

*Power	*Color
MLR	White
6EW 199A	Blue / Yellow



Housing Cable Pinout	
8 Pin	Color
Pin 1	Black
Pin 2	Red
Pin 3	White
Pin 4	Green
Pin 5	Orange
Pin 6	Blue
Pin 7	Brown
Pin 8	Yellow
4 Pin	Color
Pin 1	Violet
Pin 2	Gray
Pin 3	Pink
Pin 4	Tan



NOTES:

1. ONLY PIN TO TERMINAL AS NEEDED
2. 4-PIN HOUSING IS NOT USED FOR PDQ 6200 SERIES EXIT DEVICES

SIGNAL SWITCH INSTALLATION INSTRUCTIONS

FOR 6200 SERIES EXIT DEVICES



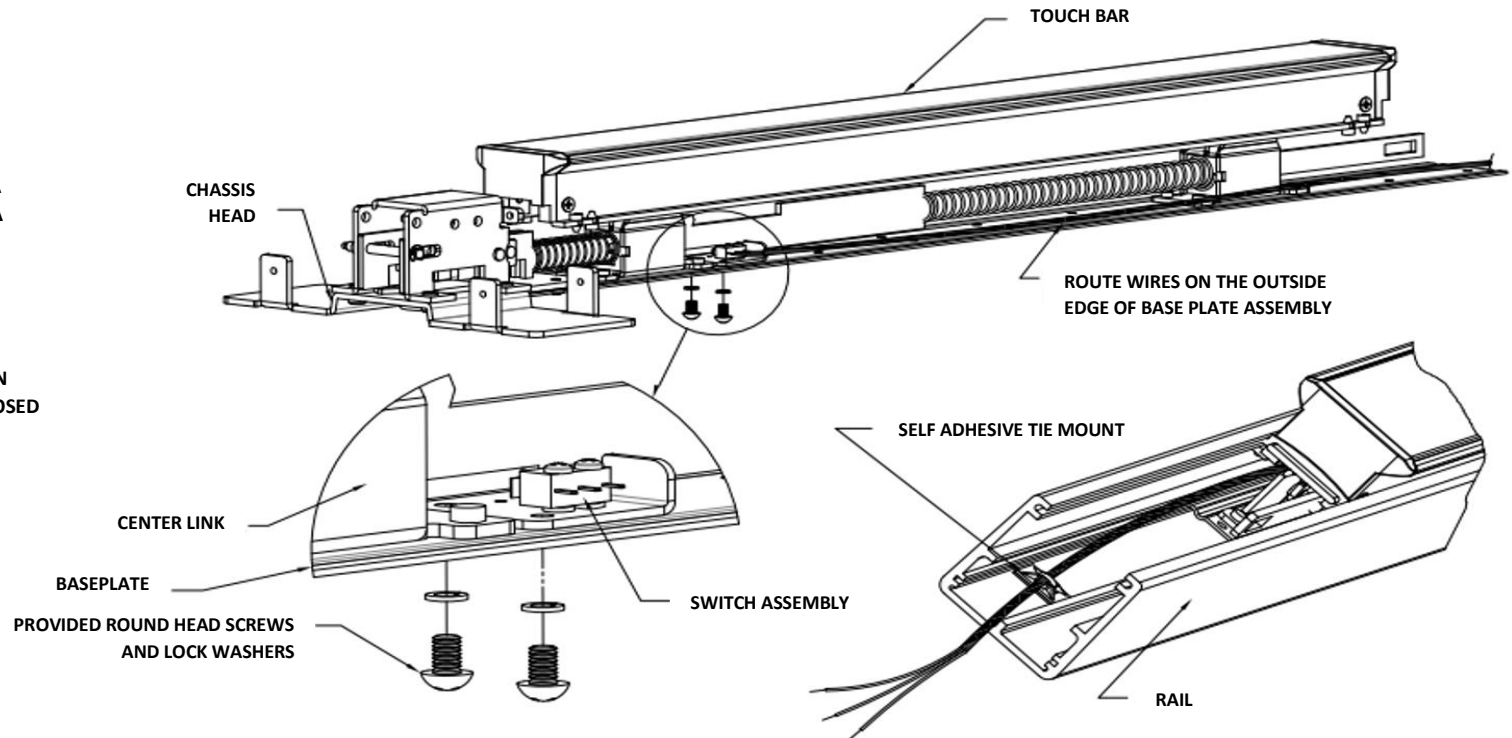
Phone: 833-2-PDQTEC | www.pdqlocks.com

ELECTRICAL SPECIFICATIONS

- SPDT MONITOR SWITCH
- CONTACT RATING: 125VAC 3A
30VDC 3A

COLOR CODE FOR WIRES

- YELLOW WIRE: COMMON
- RED WIRE: NORMALLY OPEN
- GRAY WIRE: NORMALLY CLOSED
- WIRE GAUGE: #22 AWG



INSTALLATION INSTRUCTIONS

- STEP 1. REMOVE RAIL FROM DEVICE.
- STEP 2. PLACE SWITCH ASSEMBLY INTO DEVICE AS SHOWN. ASSEMBLY FITS OVER TOP OF EXISTING HOLES.
- STEP 3. MAKE SURE SWITCH ARM IS PLACED ON OUTSIDE OF CENTER LINK ON THE PUSHBAR TO PREACTIVATE THE SWITCH.
- STEP 4. USE PROVIDED ROUND HEAD SCREWS AND LOCK WASHERS TO SECURE SWITCH ASSEMBLY TO BASEPLATE.
- STEP 5. CHECK FOR PROPER SWITCH ACTIVATION--WHEN TOUCH BAR IS FULLY DEPRESSED SWITCH SHOULD ACTIVATE.
- STEP 6. RUN WIRES ALONG OUTSIDE EDGE OF PUSHBAR MECHANISM.
- STEP 7. RE-ASSEMBLE.
- STEP 8. SECURE SELF-ADHESIVE TIE MOUNT TO END OF RAIL AS SHOWN.