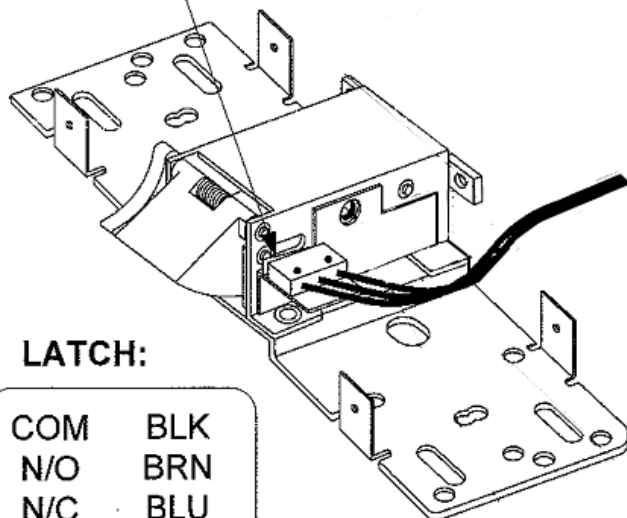




WIRING INFORMATION FOR PDQ 6200 SERIES WITH LATCH MONITOR SWITCH OPTION

Switch arms may
need adjustment to
make proper contact

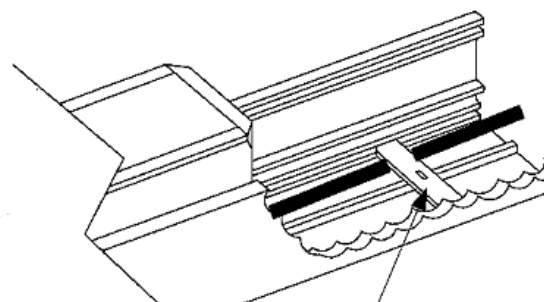


LATCH:

COM	BLK
N/O	BRN
N/C	BLU

WIRING CONNECTIONS ONLY REQUIRED

1. FOLLOW ALL SAFETY PROCEDURES
2. COMPLY WITH ALL CODE REQUIREMENTS
3. ISOLATE ALL CONNECTIONS



Safety Retaining Clip
(locks wire in place)

LATCH MONITOR SWITCH AND SAFTY RETAINING CLIP ARE FACTORY INSTALLED

FOR ASSISTANCE, CONTACT PDQ TECHNICAL SUPPORT AT 1-800-441-9692