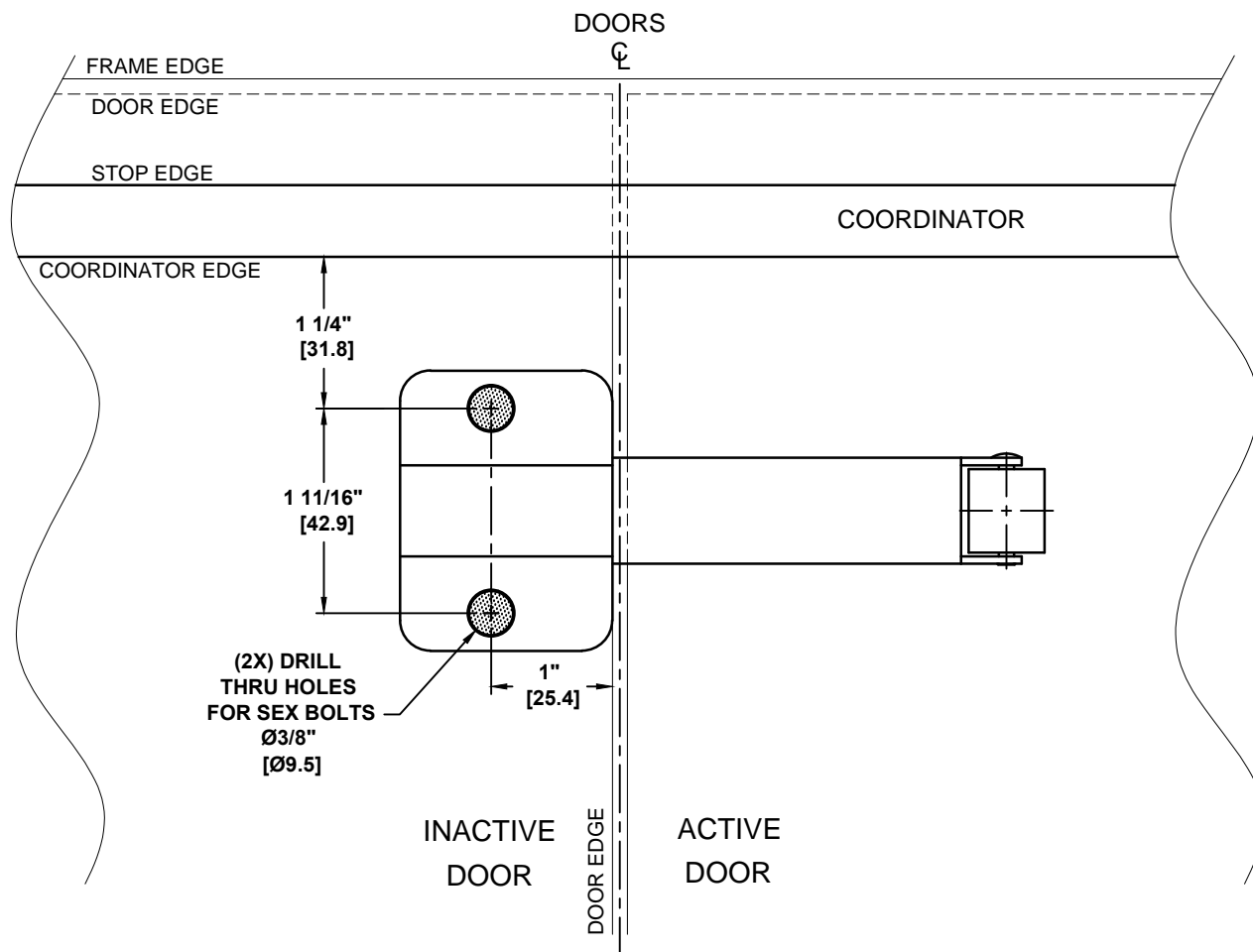


910 CARRY BAR FOR METAL AND WOOD DOOR APPLICATIONS

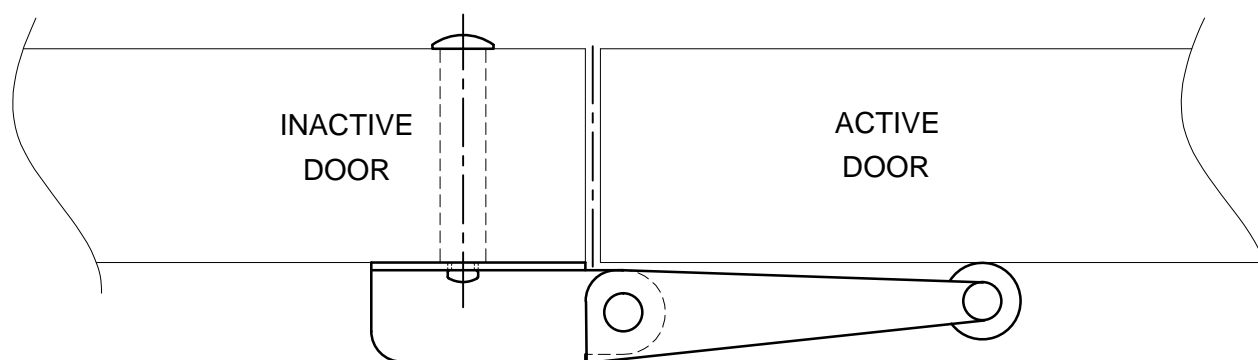
TEMPLATE: 939311
REV. 0 10-16-14

THE CARRY BAR IS USED IN SITUATIONS WHICH ALLOW THE INACTIVE DOOR TO OPEN BEFORE THE ACTIVE DOOR.

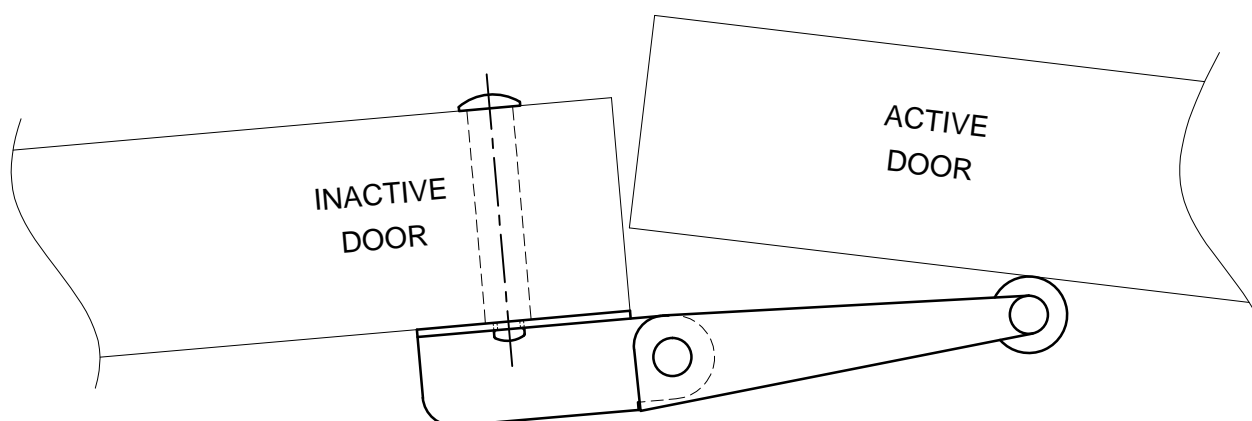


NOT TO SCALE

LOCATE HOLES FOR TWO SEX BOLTS AS SHOWN ON INACTIVE DOOR



THE CARRY BAR WILL PUSH THE ACTIVE DOOR OPEN ALONG WITH THE INACTIVE DOOR AND ALLOW THE COORDINATOR MECHANISM TO ENGAGE BOTH DOORS AND TO COORDINATE THEM TO CLOSE CORRECTLY.



NOTES:

1. DIMENSIONS IN **INCHES** [MM]
2. THE CARRY BAR IS NOT NEEDED WHEN THE INACTIVE DOOR IS EQUIPPED WITH FLUSH BOLTS.
3. ALWAYS CHECK PDQ WEBSITE FOR THE MOST RECENT TEMPLATE REVISION AT WWW.PDQLOCKS.COM



PDQ Manufacturing
2754 Creek Hill Rd.
Leola, PA 17540
800-441-9692
Fax: 717-656-6892
www.pdqlocks.com