

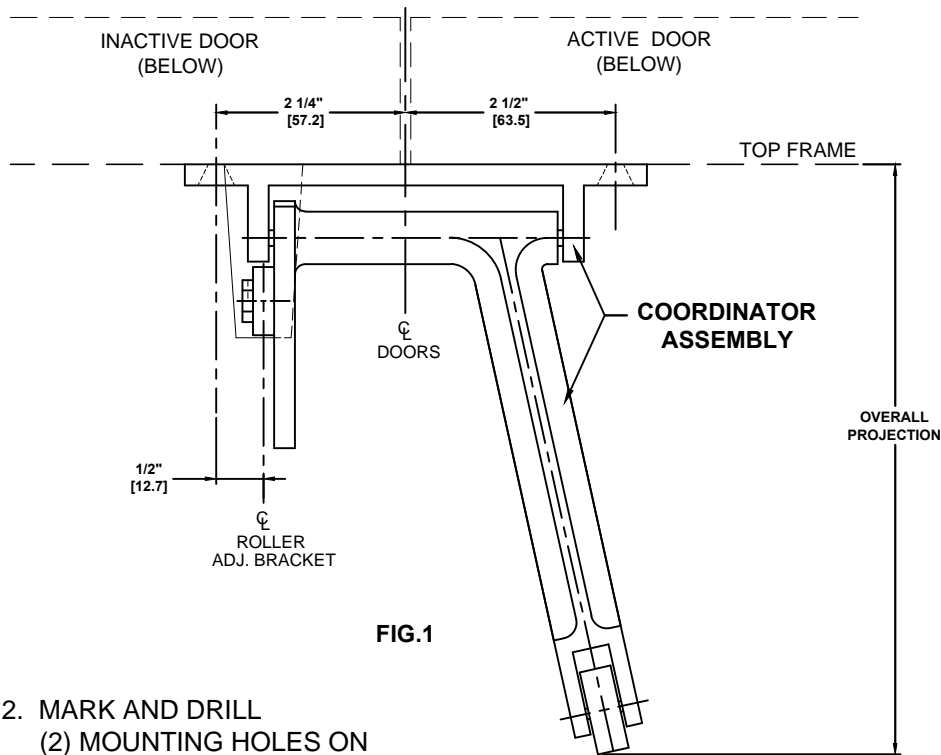
# 93590-93591 GRAVITY COORDINATOR FOR METAL AND WOOD DOOR APPLICATIONS

TEMPLATE: 939309  
REV. 0 10-02-14

## INSTALLATION INSTRUCTIONS:

NOT TO SCALE

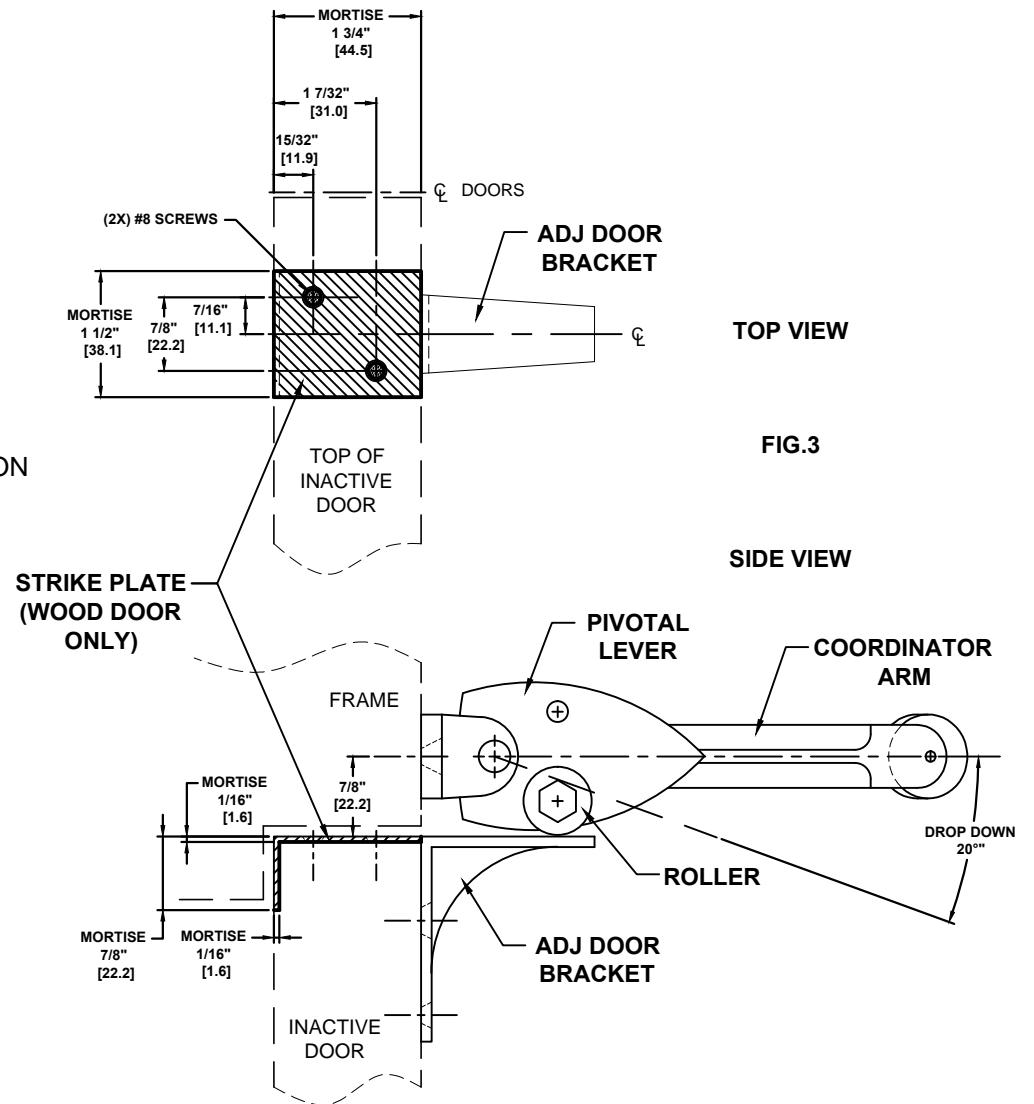
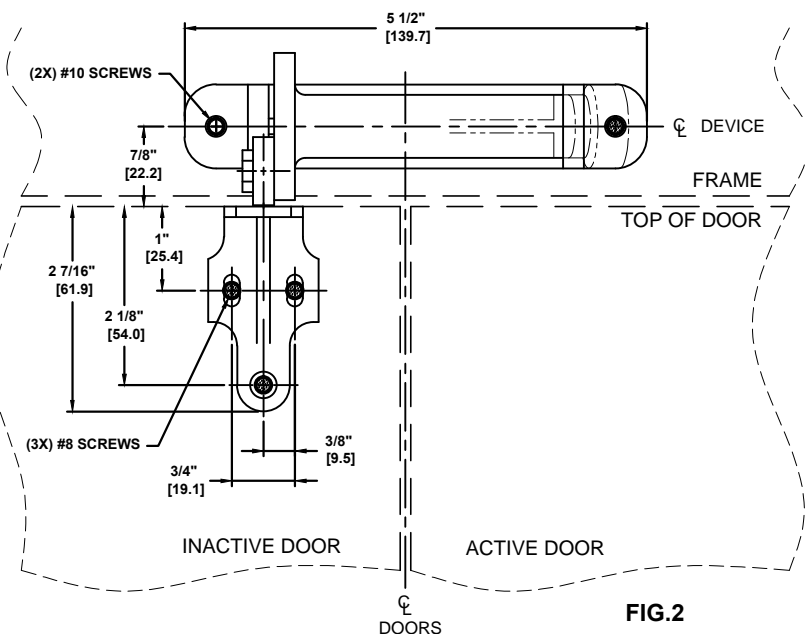
1. POSITION COORDINATOR ASSEMBLY ON SWING SIDE OF TOP FRAME (AS SHOWN, FIG.1 & FIG.2).



MODEL#	OVERALL PROJECTION
93590	6 1/2" [165.1]
93591	8 1/2" [215.9]

2. MARK AND DRILL (2) MOUNTING HOLES ON SWING SIDE OF TOP FRAME (FIG. 2). FOR METAL DOORS, DRILL AND TAP FOR 10-24 SCREWS. FOR WOOD DOORS, DRILL PILOT FOR #10 SCREWS. MOUNT THE COORDINATING ASSEMBLY.

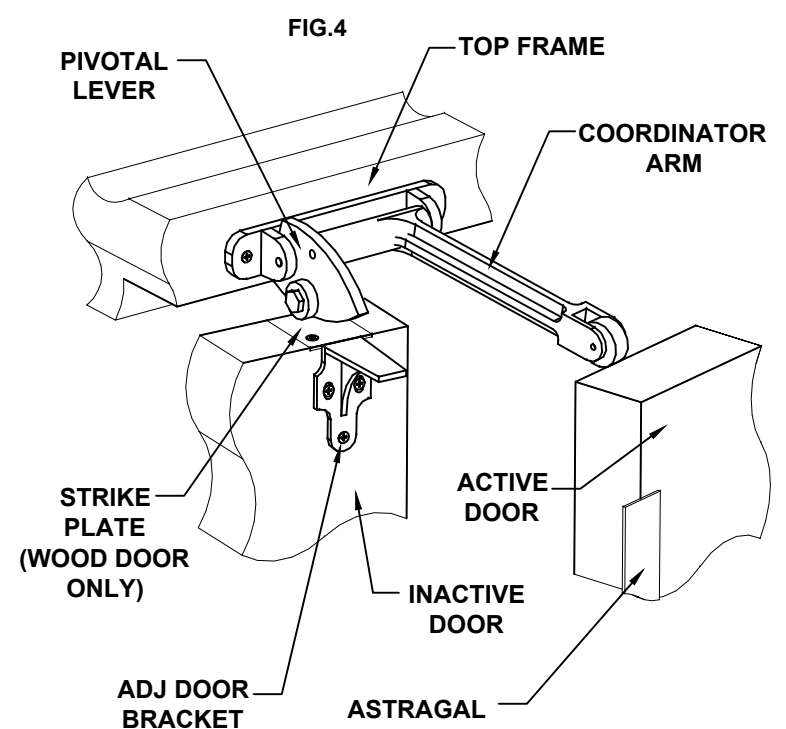
3. FOR WOOD DOORS ONLY, A STRIKE PLATE MUST BE INSTALLED ON THE TOP EDGE OF THE INACTIVE DOOR SO THE ROLLER ON THE PIVOTAL LEVER WILL RIDE OVER THE PLATE (FIG. 3). MORTISE THE TOP AND FACE OF THE DOOR AS SHOWN. MARK AND DRILL PILOT FOR #8 SCREWS.



4. POSITION THE ADJ. DOOR BRACKET ON THE INACTIVE DOOR WITH THE ROLLER ON THE PIVOTAL LEVER CENTERED OVER THE ADJ. DOOR BRACKET AS SHOWN (FIG.2, FIG.3, & FIG.4). THIS BRACKET WILL SUPPORT THE COORDINATOR WHEN THE DOORS ARE CLOSED

5. DRILL (3) MOUNTING HOLES FOR ADJ. DOOR BRACKET. FOR METAL DOORS, DRILL AND TAP FOR 8-32 SCREWS. FOR WOOD DOORS, DRILL PILOT FOR #8 SCREWS.

6. TEST OPERATION: AFTER COMPLETE INSTALLATION, THE PIVOTAL LEVER WILL RIDE OVER THE STRIKE PLATE WHEN THE INACTIVE DOOR IS CLOSED. WHEN BOTH DOORS ARE OPENED AT THE SAME TIME, THE COORDINATOR ARM WILL DROP DOWN 20° TO HOLD THE ACTIVE DOOR OPEN. WHEN DOOR CLOSERS ARE INSTALLED, THE INACTIVE DOOR WILL CLOSE FIRST.



## NOTES:

1. DIMENSIONS IN **INCHES** [MM].
2. ROLLER MUST BE AT THE BOTTOM OF PIVOTAL LEVER. RELOCATE TO CHANGE HAND.
3. IF INACTIVE DOOR IS EQUIPPED WITH FLUSH BOLT, BE SURE STRIKE PLATE CLEARS BOLT.
4. MINIMUM 2" HEADROOM REQUIRED.
2. ALWAYS CHECK PDQ WEBSITE FOR THE MOST RECENT TEMPLATE REVISION AT [WWW.PDQLOCKS.COM](http://WWW.PDQLOCKS.COM)



PDQ Manufacturing  
2754 Creek Hill Rd.  
Leola, PA 17540  
800-441-9692  
Fax: 717-656-6892  
[www.pdqlocks.com](http://www.pdqlocks.com)