

CLASS 2 OUTPUTS

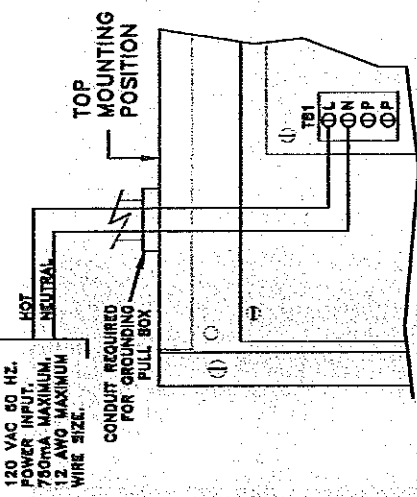
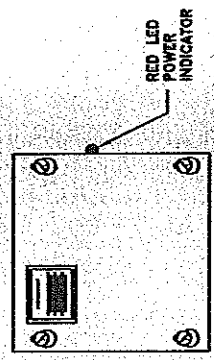


ACCESS CONTROL POWER SUPPLY ACCESS CONTROL
ELECTRIC LATCH RETRACTION (ELR) CONTROLLER

MFG. DATE: 42-14

GENERAL WIRING DIAGRAM
FOR 629406 ELECTRIC
LATCH RETRACTION
CONTROLLER

USE INSTALLATION INSTRUCTIONS
I.D. 629901

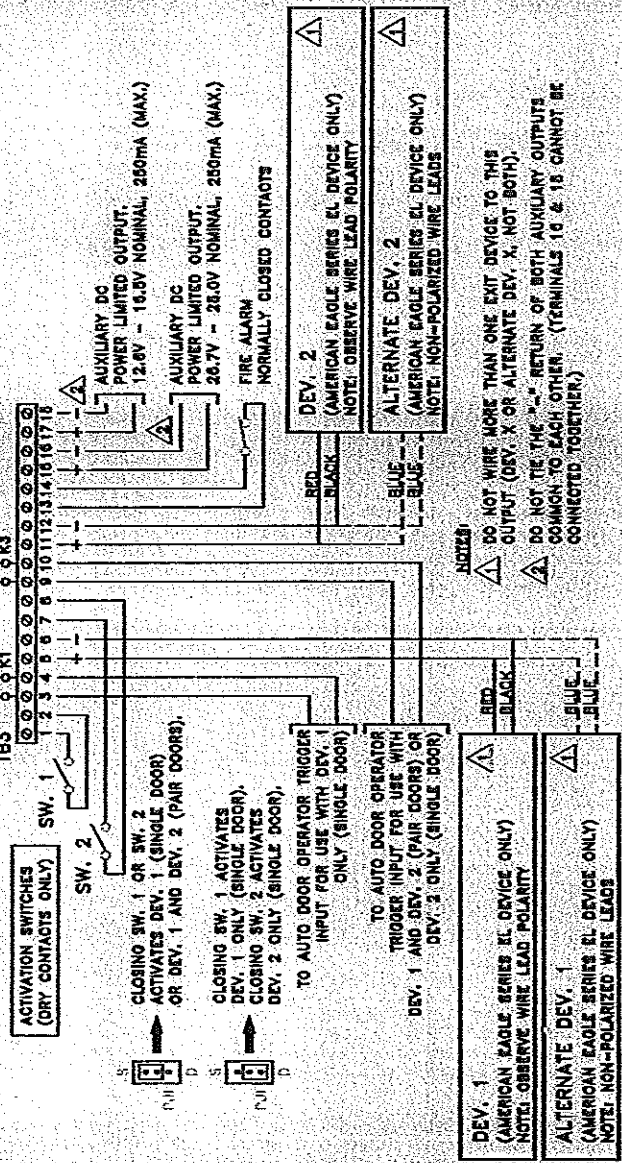


CONTROLLER INTENDED
FOR INDOOR USE ONLY.

USED FOR ADJUSTING UNLOCK DELAY TIME WHEN
SW. 2 USING MOMENTARY ACTION SWITCHES FOR SW. 1 AND
R4 ADJUSTS DEV. 1 (SINGLE DOOR) OR DEV.
1 & DEV. 2 (PAIR DOORS) TIME DELAY. R4 ADJUSTS
DEV. 2 (SINGLE DOOR) TIME DELAY. 30 SEC. MAX.
DELAY TIME.

FIRE ALARM INPUT ENABLE/DISABLE SELECTOR
DEFAULT POSITION SHOWN WHEN FIRE ALARM
IS NOT USED. TO ENABLE INPUT FOR FIRE ALARM
INTERFACE, MOVE JUMPER TO "FA EN" POSITION.

DEVICE ACTIVATION MODE SELECTOR
DEFAULT POSITION SHOWN.
SEE BELOW FOR DETAILS.



DO NOT WIRE MORE THAN ONE EXIT DEVICE TO THIS
OUTPUT (DEV. X OR ALTERNATE DEV. X, NOT BOTH).
DO NOT TIE THE "-" RETURN OF BOTH AUXILIARY OUTPUTS
COMMON TO EACH OTHER. (TERMINALS 16 & 18 CANNOT BE
CONNECTED TOGETHER.)

