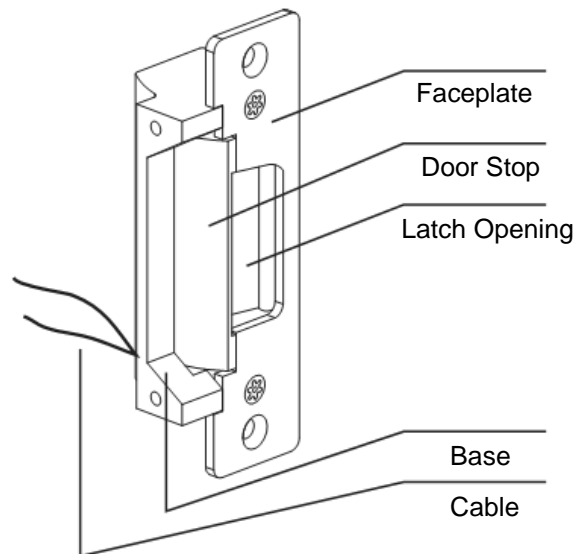
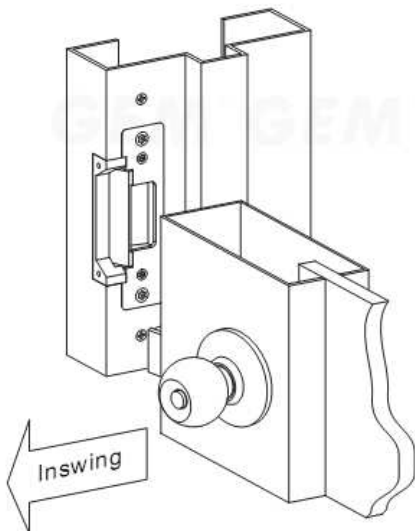









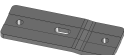
Electric Strike Installation Instruction

For PDQ GR1 and GR2 Cylindrical Locks

| | |
|-----------------------|----------------------------|
| Operating Voltage | 12VDC,24VDC,12/24VDC |
| Voltage Tolerance | ±15% |
| Current Draw | 0.25A/12VDC 0.15A/24VDC |
| Operating Temperature | 14 – 110 degrees F |
| Humidity | 0-95% |



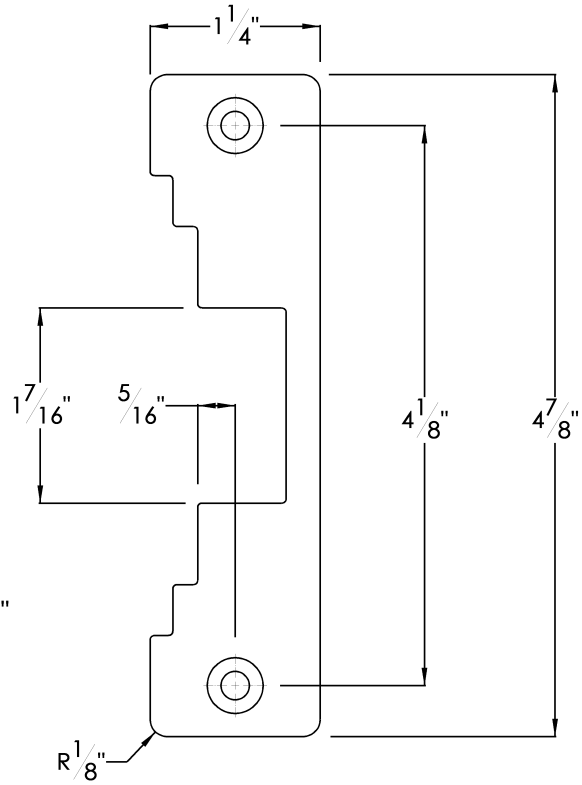
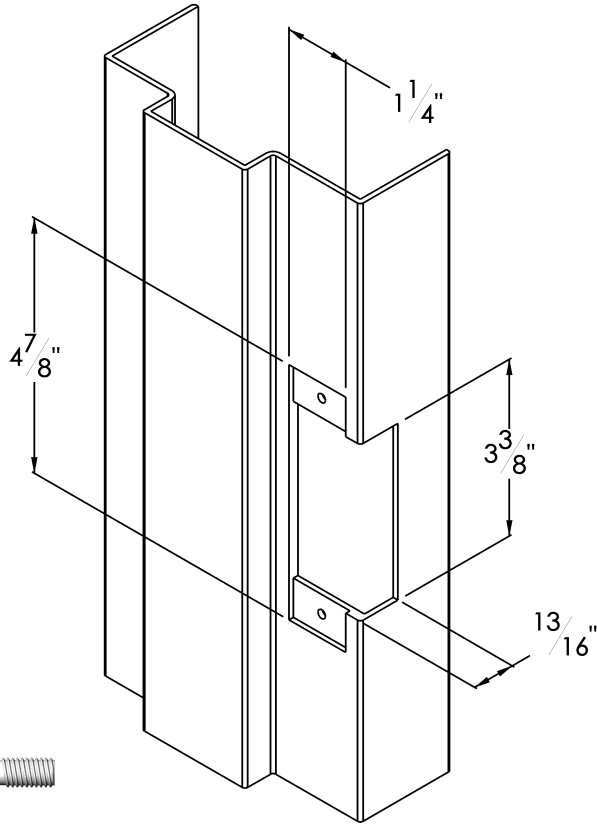
Included Hardware


-  2 x M4x0.7 Screw(s)
-  4 x M5x0.8 Screw(s)
-  2 x 1-1/4 Wood Screw(s)
-  2 x M4x0.7 Nut(s)
-  2 x Butt Splice Connector(s)
-  2 x Support Bracket(s)

Installation Instructions

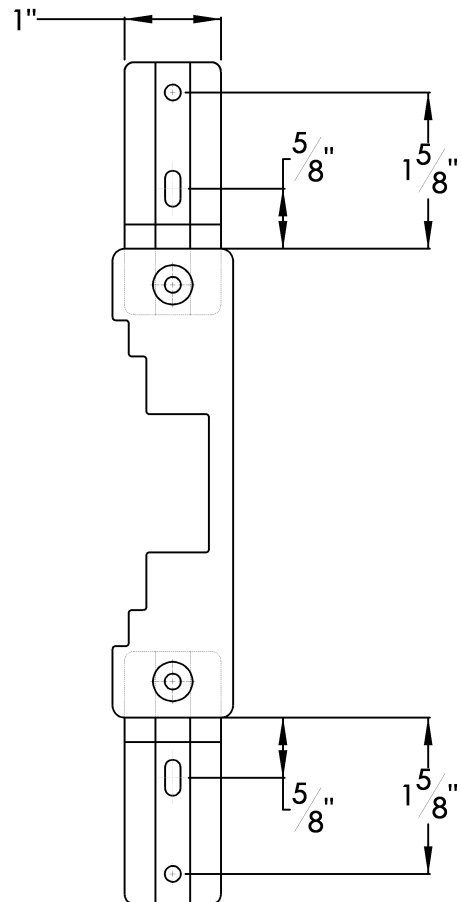
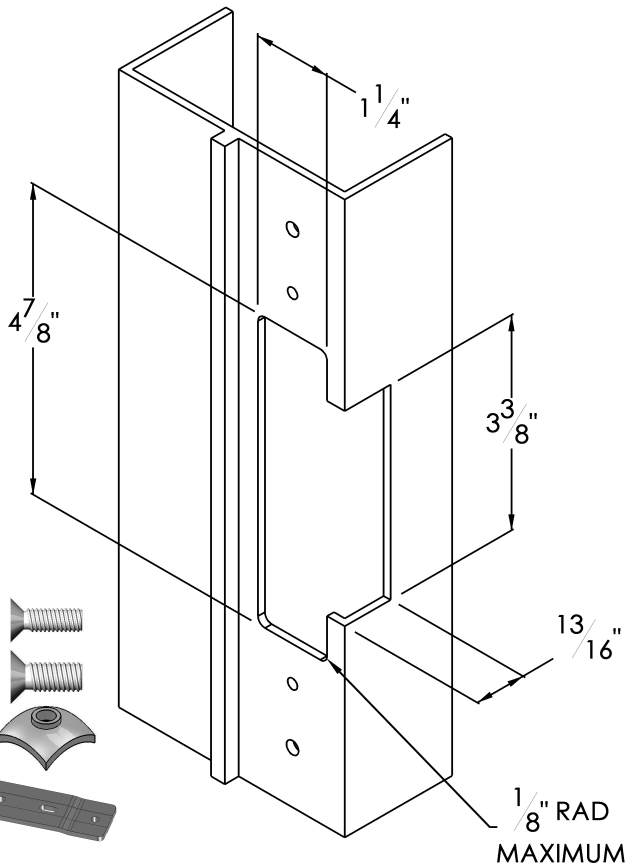
1. Verify that the strike is in the proper mode of operation (Fail Secure/ Fail Safe). *Refer to page 3*
2. Prepare frame using the appropriate template for your frame type. *Refer to page 2*
3. Connect the strike to power source. *Refer to page 3*
4. Install the strike unit in jamb cutout using the hardware provided. *Refer to page 2*




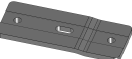
ANSI Metal Jamb Installations



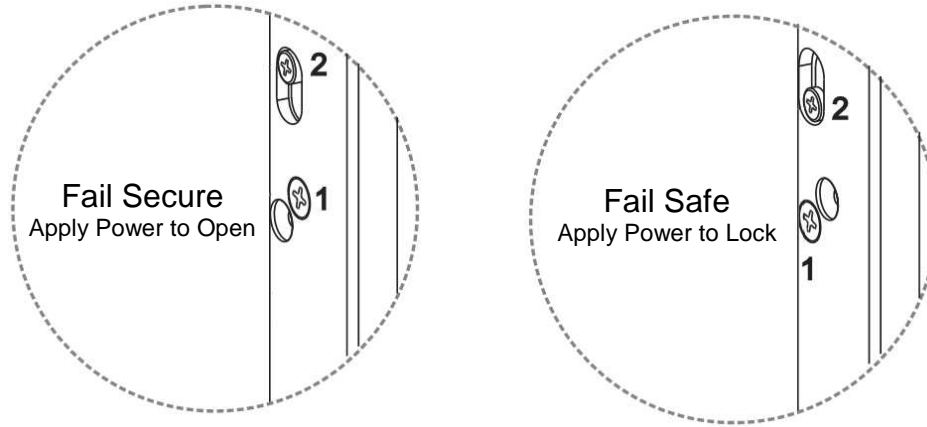
(4) M5x0.8 

Aluminum Jamb Installations



- (2) M4x0.7 
- (4) M5x0.8 
- (2) M4x0.7 Nut 
- (2) Support 

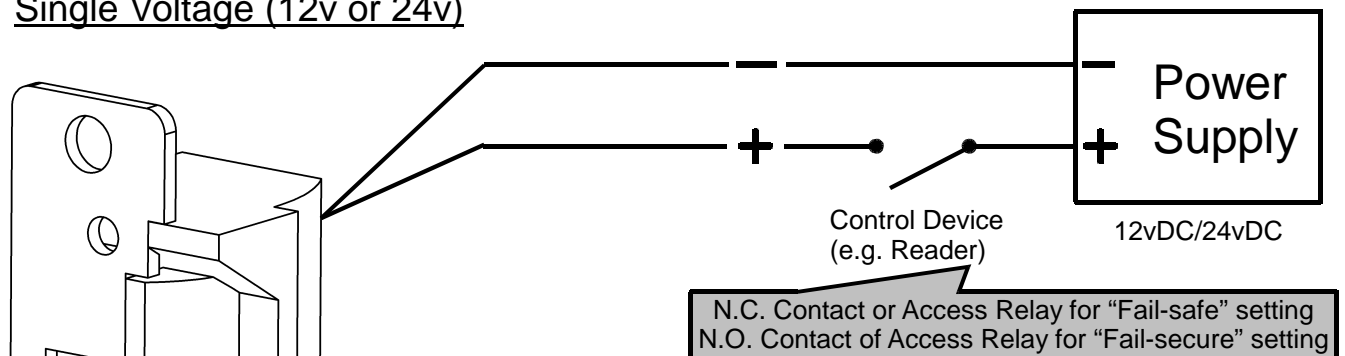
Changing Fail-Safe / Fail-Secure



Strike is shipped from factory in fail-secure configuration. If fail-safe configuration is desired, remove screw from hole #1 as shown in above diagram and loosen screw #2. Slide screw #2 to opposite end of the slot and tighten. Install screw #1 into hole labeled fail safe.

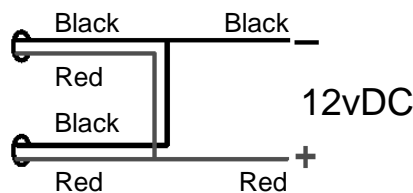
Wiring Diagram

Single Voltage (12v or 24v)



Dual Voltage (12v or 24v)

Connect wires in **Parallel** for the 12vDC operation.



Connect wires in **Series** for the 24vDC operation.

