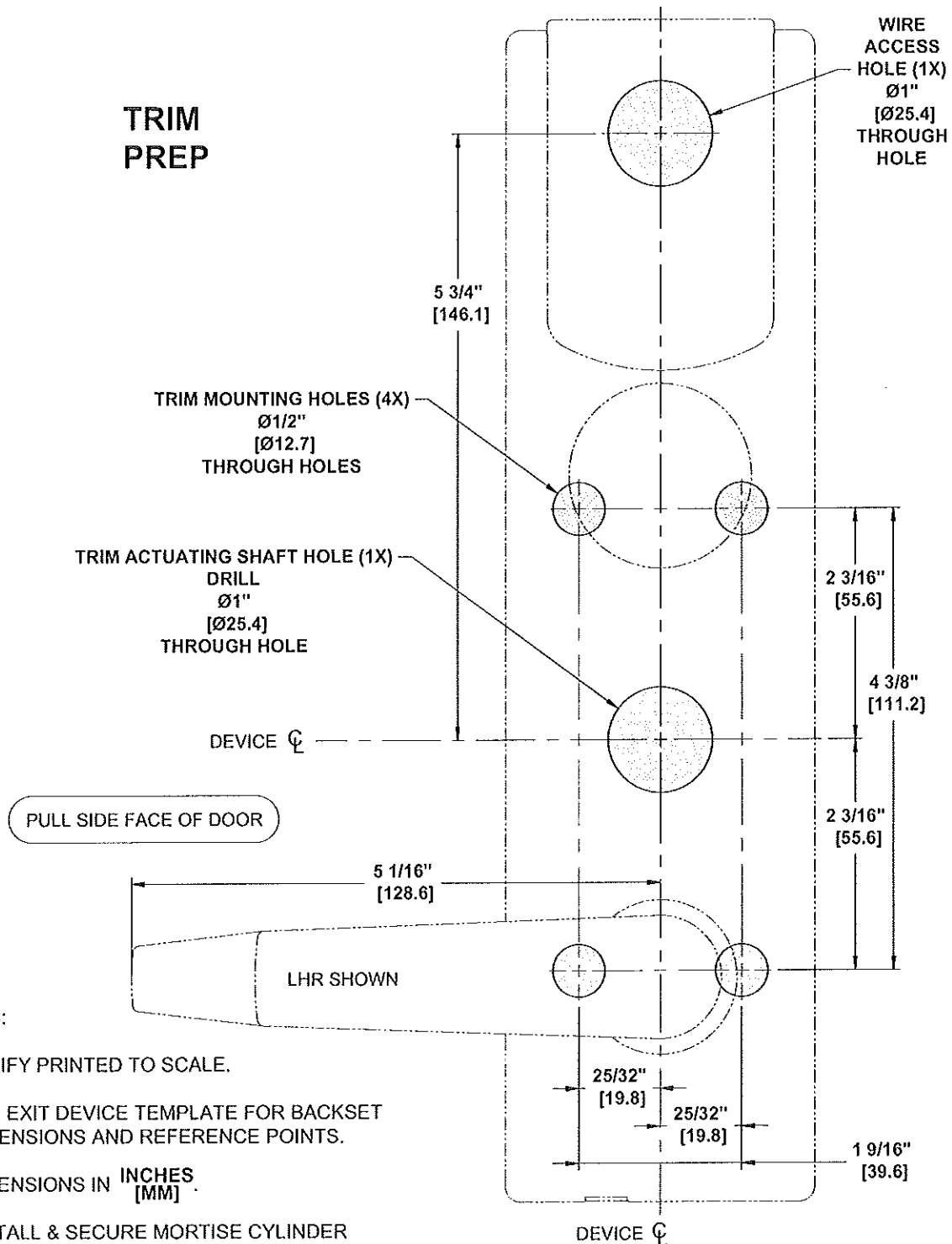


**E629 EXIT DEVICE KEYPAD
ESCUTCHEON TRIM MODELS**
FOR PDQ 6200R / 6200V SERIES EXIT DEVICES

TEMPLATE: 88310
REV. 1 10-30-13



NOTES:

1. VERIFY PRINTED TO SCALE.
2. SEE EXIT DEVICE TEMPLATE FOR BACKSET DIMENSIONS AND REFERENCE POINTS.
3. DIMENSIONS IN **INCHES** [MM].
4. INSTALL & SECURE MORTISE CYLINDER IF SEPARATE FROM TRIM.
5. HEIGHT OF ESCUTCHEON = 11-3/16" [284.2].
6. WIDTH OF ESCUTCHEON = 2-15/16" [74.6].
7. PROJECTION OF ESCUTCHEON = 15/16" [23.8] (EXCLUDING LEVER & CYLINDER COLLAR).
8. TOTAL TRIM PROJECTION = 3-1/8" [79.4].
9. ALWAYS CHECK TELLCARD WEBSITE FOR THE MOST RECENT TEMPLATE REVISION AT WWW.TELLCARDSYS.COM

BATTERY BOX PREP
FOR E6291 RIM DEVICE TRIM

BATTERY BOX PREP
FOR E6292 SURFACE VERTICAL ROD DEVICE TRIM

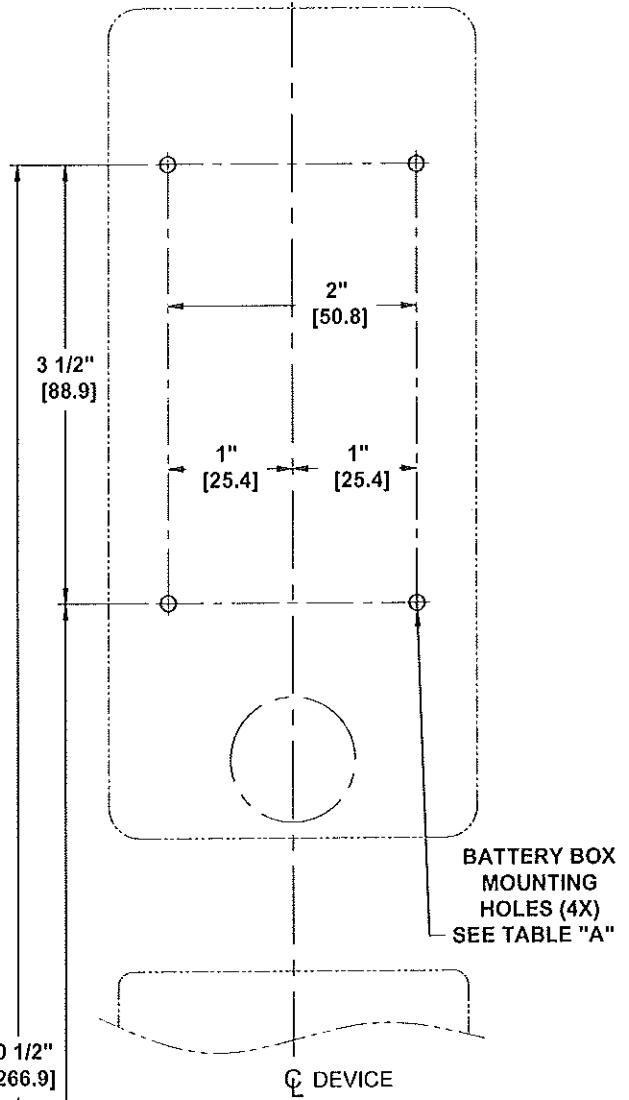
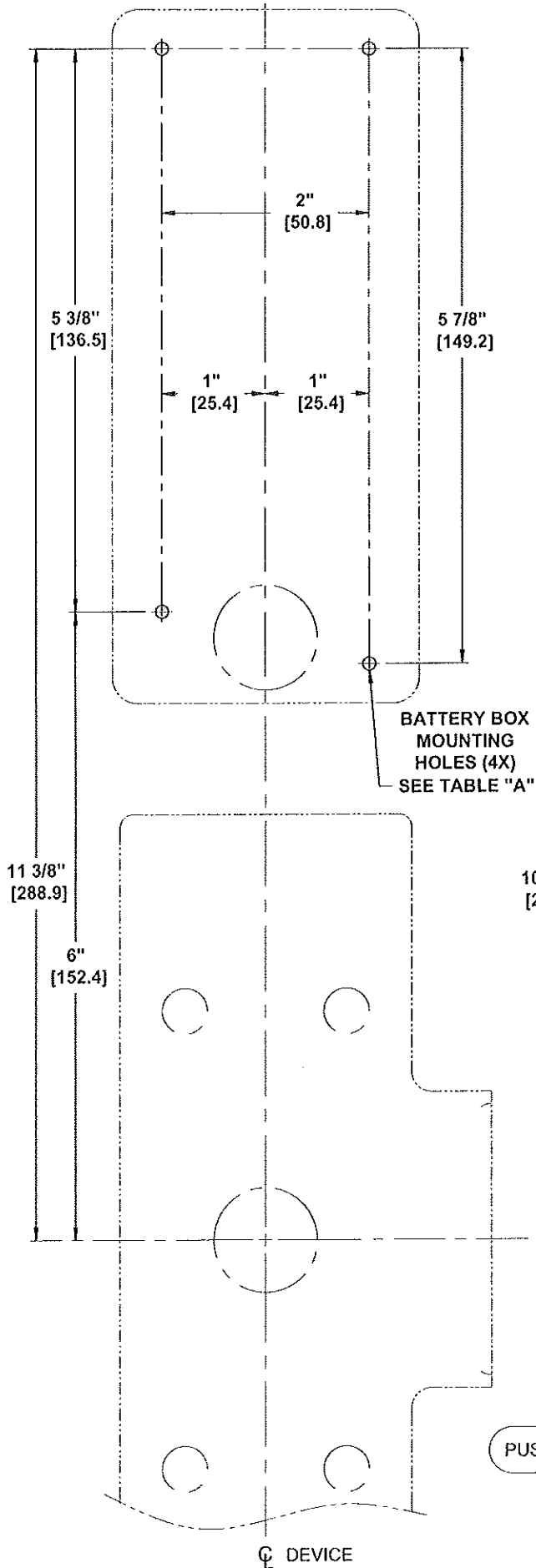


TABLE "A"	
METAL DOORS:	USE 7/64" [2.8] PILOT DRILL
WOOD DOORS:	USE 1/8" [3.2] PILOT DRILL

TEMPLATE: 88310
PAGE 2 OF 2

Tellcard_Logo.bmp

TellCard Systems, Inc.
144 Newport Road
Leola, PA 17540
855-200-2611
Fax: 717-556-0501
www.tellcardsys.com