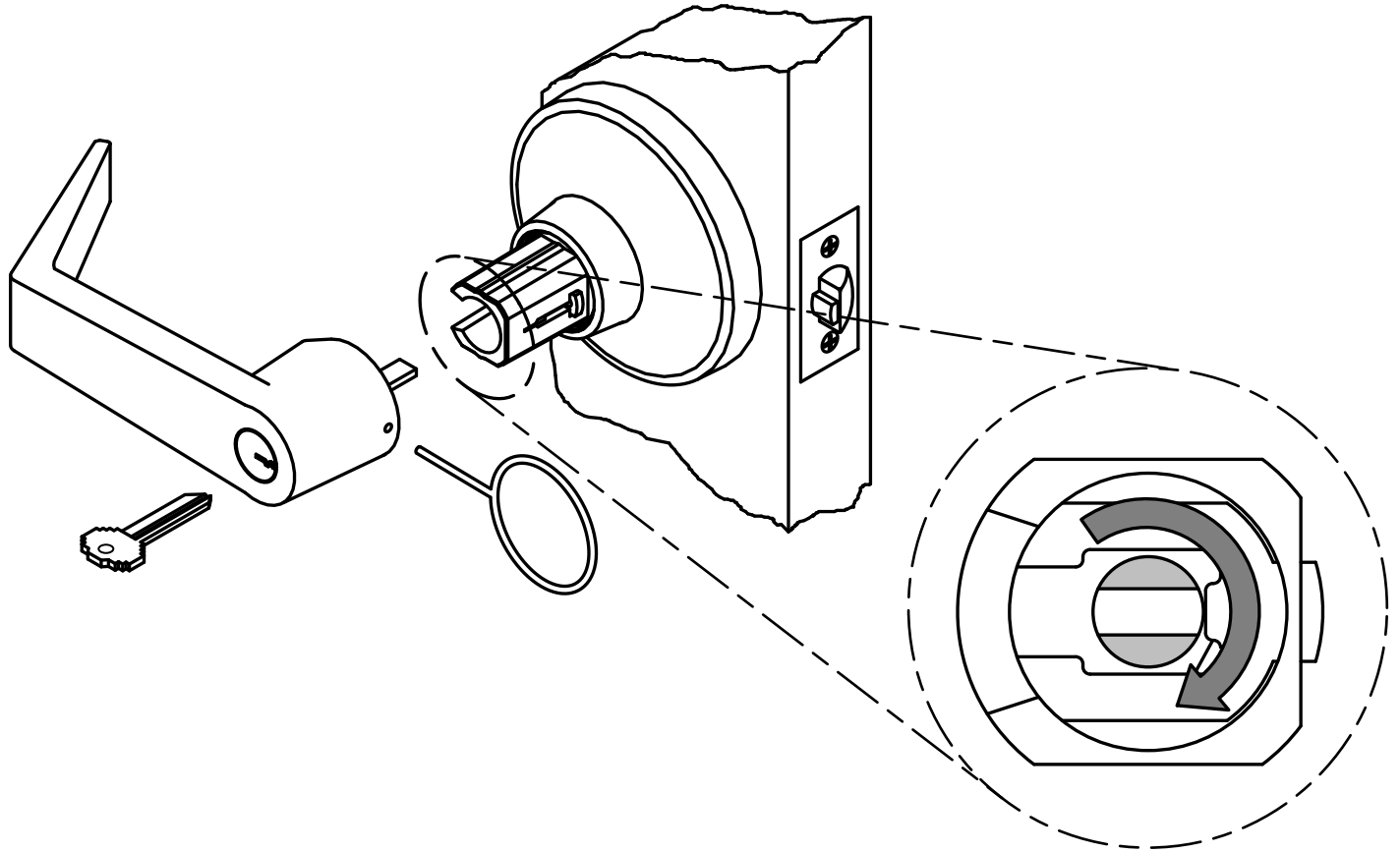


TIMING INSTRUCTION FOR FUNCTIONS:

141 (COMMUNICATING)
148 (CLASSROOM)
150 (COMMUNICATING)
165 (DORMITORY)



Phone: 800-441-9692 | www.pdqlocks.com

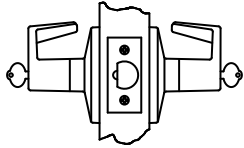


CYLINDER TO CHASSIS TIMING OVERVIEW:

NOTE: See back of instruction for explanation of expected proper operation of function.

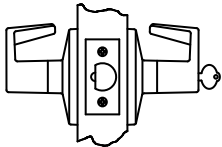
1. To install new standard cylinder, lever must be removed. Begin by inserting and rotating key 45°. Insert pick into hole in front of lever as shown while pulling out on lever. For Interchangeable Core type cylinder it is not necessary to remove lever. Simply insert control key and remove core.
2. Before installing new cylinder or core, ensure locking mechanism is in the correct position by rotating shaded spindle in the above illustration clockwise with a small screwdriver until it stops.
3. Re-install lever or core. Ensure key is in home position when installing lever (position where key can be pulled out of cylinder). Rotate key 45° counter-clockwise after cylinder tailpiece has engaged in locking mechanism and continue to push lever onto spindle until it clicks into place.

Expected Operation When Correctly Installed



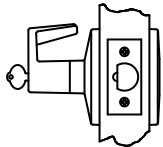
141 Function

- Levers lock/unlock independently of each other
- Outside lever locked/unlocked by turning key 360° - key should NOT turn back 180° to be removed.
- Latchbolt can be retracted by key in either lever



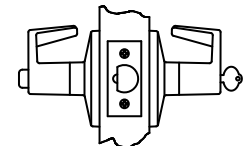
148 Function

- Outside lever locked/unlocked by turning key 360° - key should NOT turn back 180° to be removed.
- Latchbolt can be retracted by key in outside lever



150 Function

- Inside lever locked/unlocked by turning key 360° - key should NOT turn back 180° to be removed.
- Latchbolt can be retracted by key in inside lever



165 Function

- Outside lever locked/unlocked by turning key 360° – key should NOT turn back 180° to be removed.
- Latchbolt can be retracted by key in outside lever
- Key in outside lever releases push button