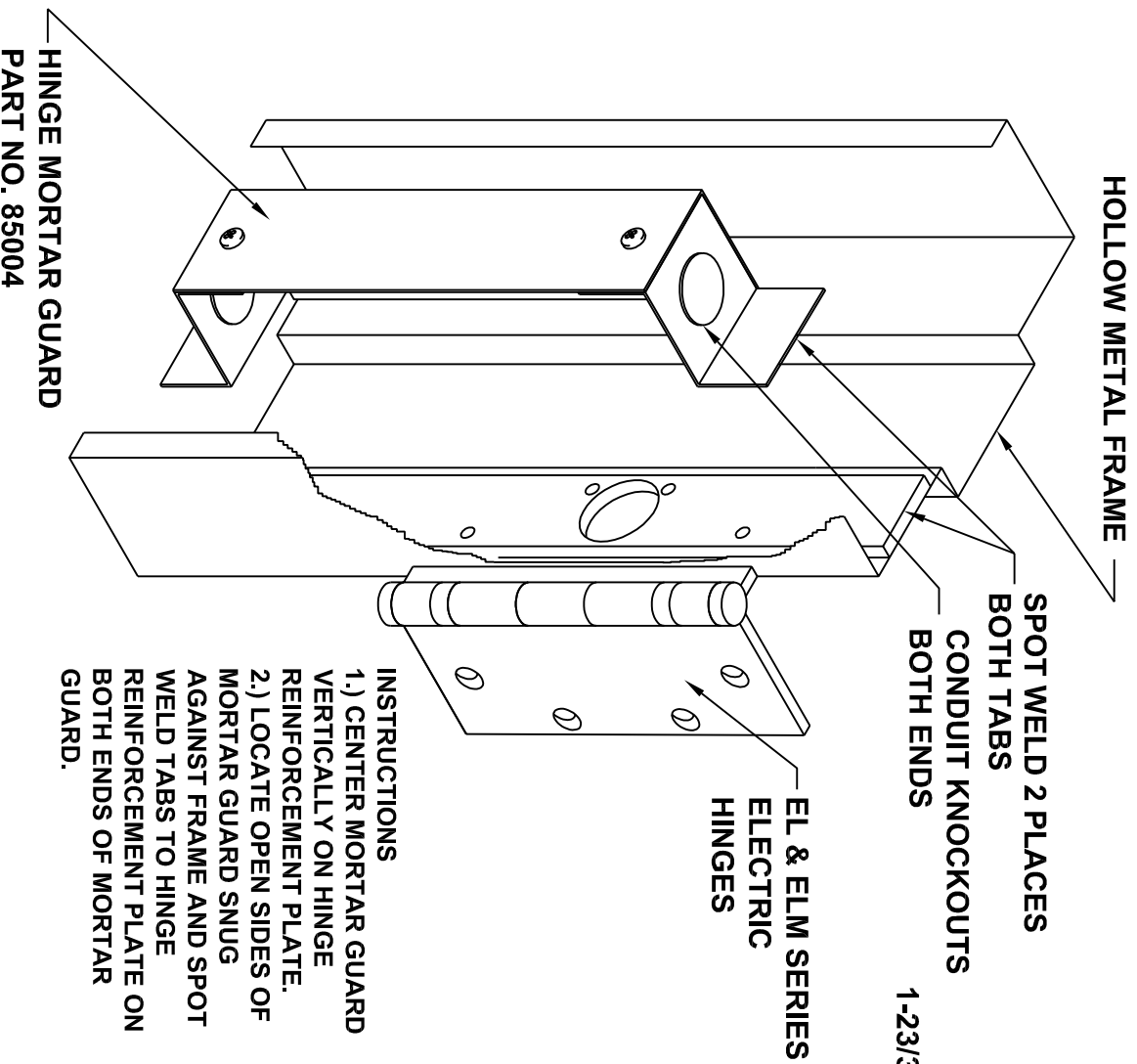


7" HINGE MORTAR GUARD INSTALLATION INSTRUCTIONS

PDQ PART NO. 85004



- INSTRUCTIONS**
- 1.) CENTER MORTAR GUARD VERTICALLY ON HINGE REINFORCEMENT PLATE.
 - 2.) LOCATE OPEN SIDES OF MORTAR GUARD SNUG AGAINST FRAME AND SPOT WELD TABS TO HINGE REINFORCEMENT PLATE ON BOTH ENDS OF MORTAR GUARD.

