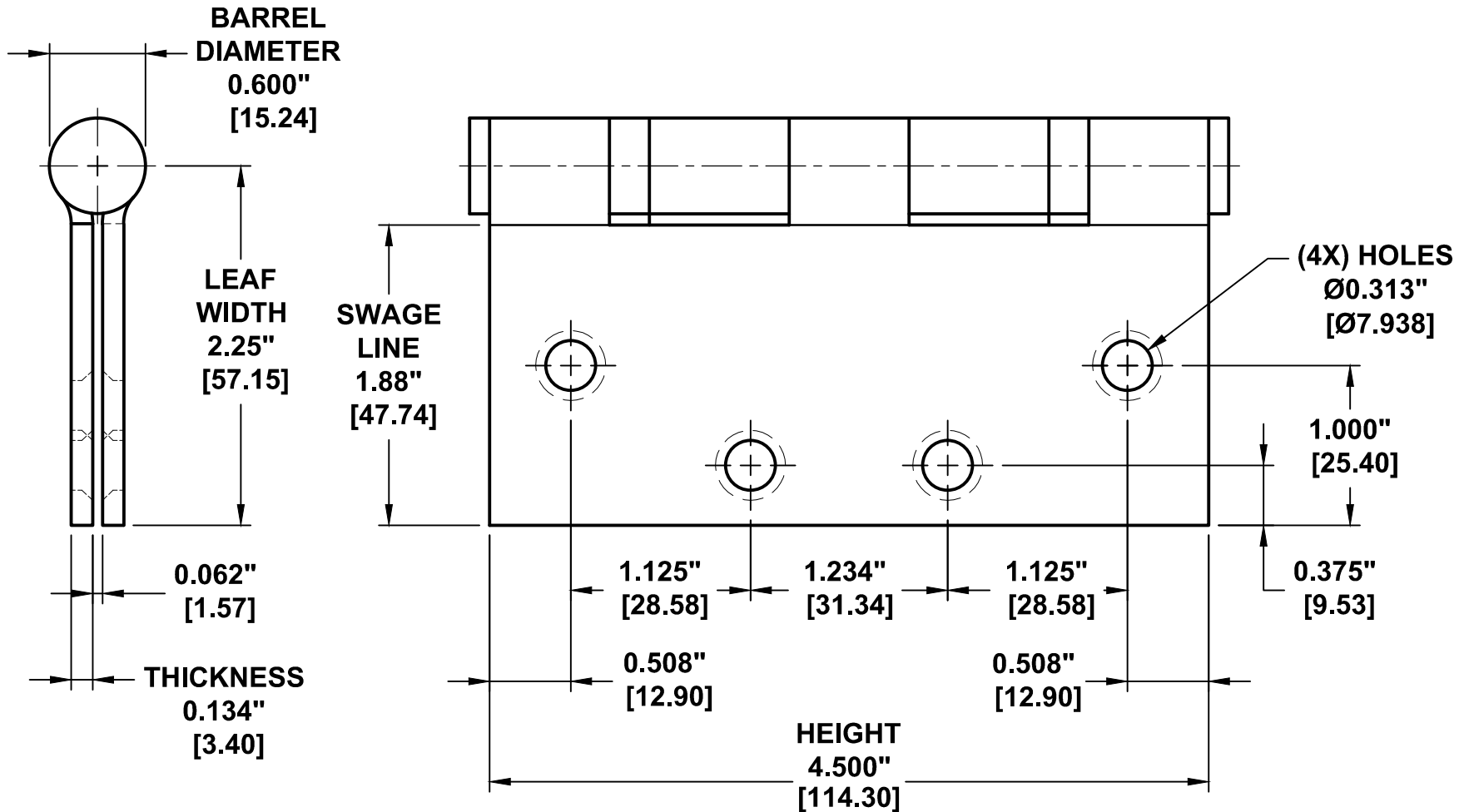


**4545 2 BALL BEARING HINGE
FULL MORTISE TEMPLATE 4-1/2" X 4-1/2"**
STANDARD DUTY HINGE MODELS

TEMPLATE: 359304
REV. 0 07-23-15
NOT TO SCALE



NOTES:

1. DIMENSIONS IN **INCHES**
[MM]
2. ALWAYS CHECK PDQ WEBSITE FOR THE MOST RECENT
TEMPLATE REVISION AT WWW.PDQLOCKS.COM



PDQ Manufacturing
2754 Creek Hill Rd.
Leola, PA 17540
800-441-9692
Fax: 717-656-6892
www.pdqlocks.com