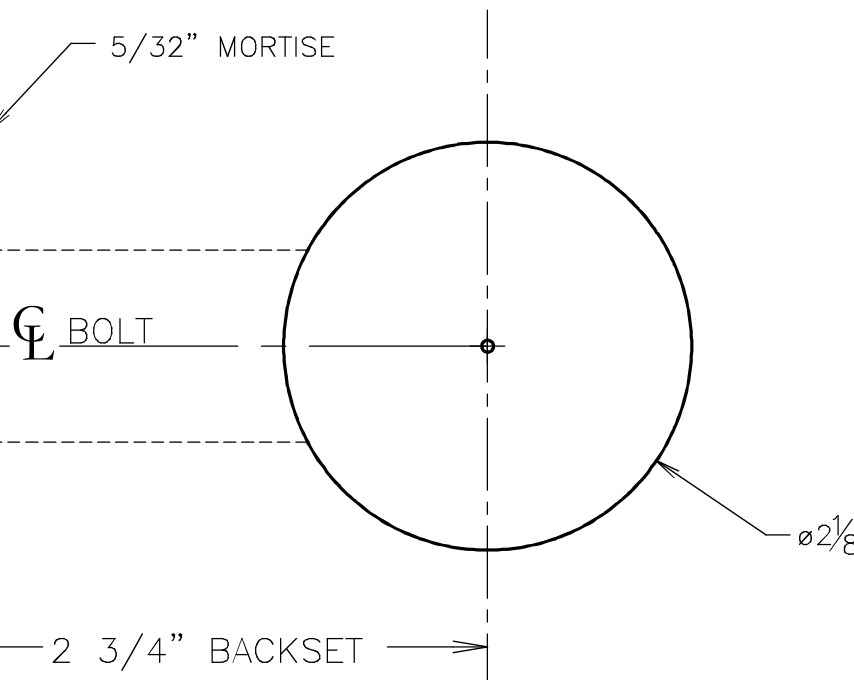


TEAR  
HERE



**LOCK BODY  
HOLE**

DRILL INSIDE OF  
DOOR ONLY

$\frac{1}{8}$

BOLT AND DOOR  
THICKNESS

NOTE: ADJUST  
TEMPLATE FOR  
BEVELED DOORS

## DOOR TEMPLATE



DATE: 7-20-15

KV 125  
2 3/4" BACKSET (FIXED)  
MAY NOT BE TO SCALE

PLEASE ENSURE THAT THIS IS THE MOST UP  
TO DATE TEMPLATE BY VISITING OUR  
WEBSITE AT [WWW.PDQLOCKS.COM](http://WWW.PDQLOCKS.COM)